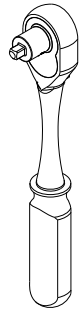
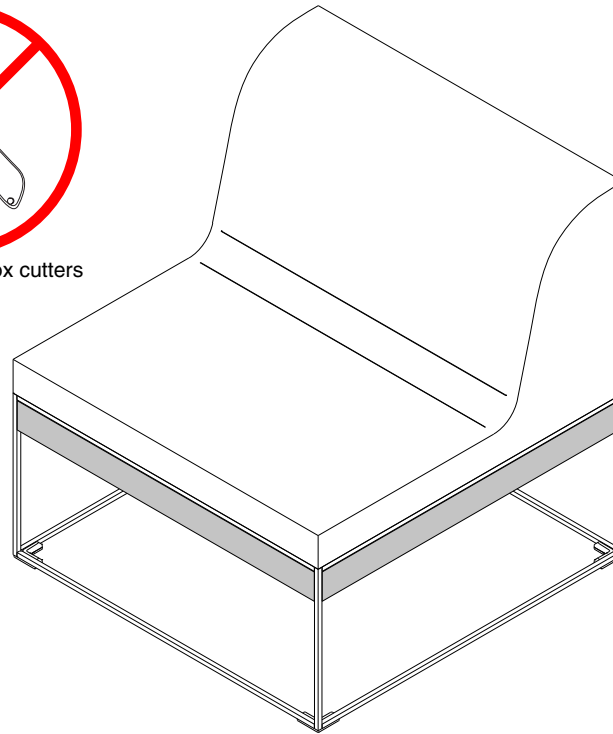


TIP: Do not use box cutters



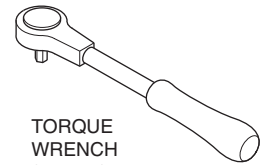
MAY NEED TO ADD
AN EXTENSION



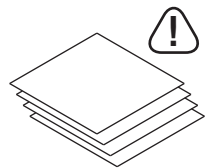
3/8"



9/16"



TORQUE
WRENCH
(30 in-lb)



PROTECTIVE BLANKETS

- English - Page 1-2
- Spanish - Page 3-4
- French Canadian - Page 5-6
- Portuguese - Page 7-8
- French European - Page 9-10
- German - Page 11-12
- Arabic - Page 13-14
- Hebrew - Page 15-16
- Chinese - Page 17-18
- Korean - Page 19-20
- Japanese - Page 21-22

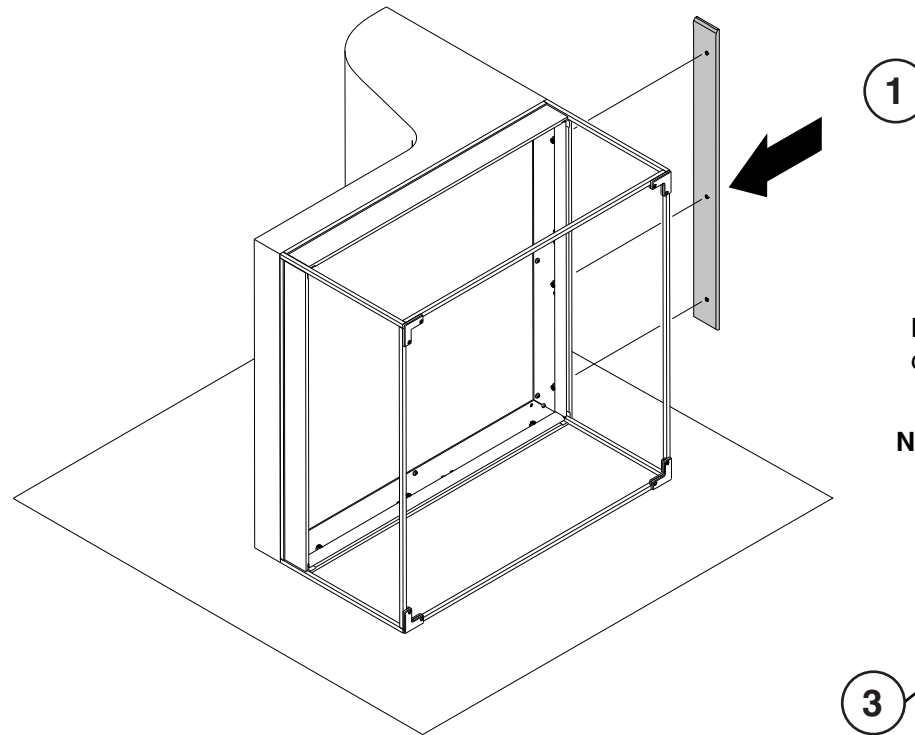
If you have a problem, question, or request, call your local dealer, or Steelcase Line 1 at **888.STEELCASE** (888.783.3522) for immediate action by people who want to help you.

(Outside the U.S.A., Canada, Mexico, Puerto Rico, and the U.S. Virgin Islands, call: 1.616.247.2500)
Or visit our website: www.steelcase.com

© 2017 Steelcase Inc.
Grand Rapids, MI 49501
U.S.A.

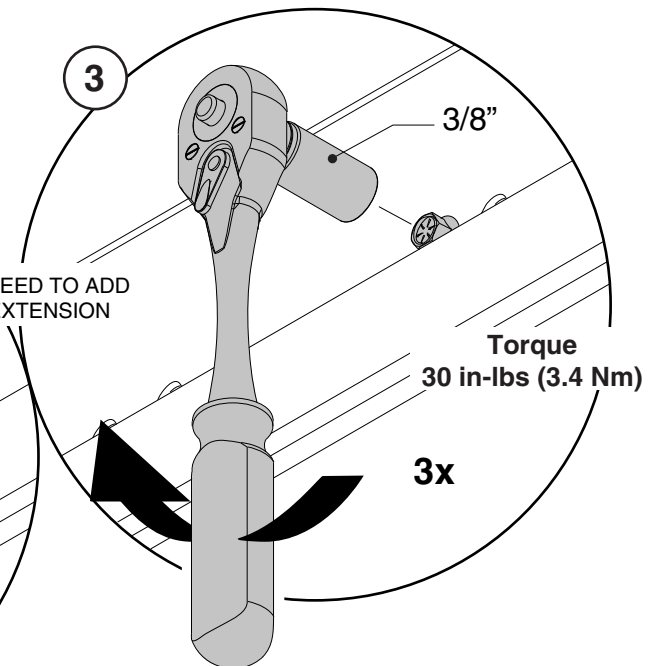
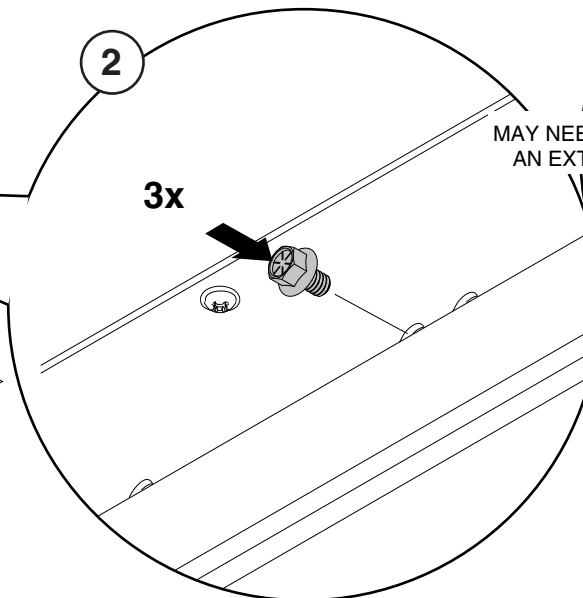
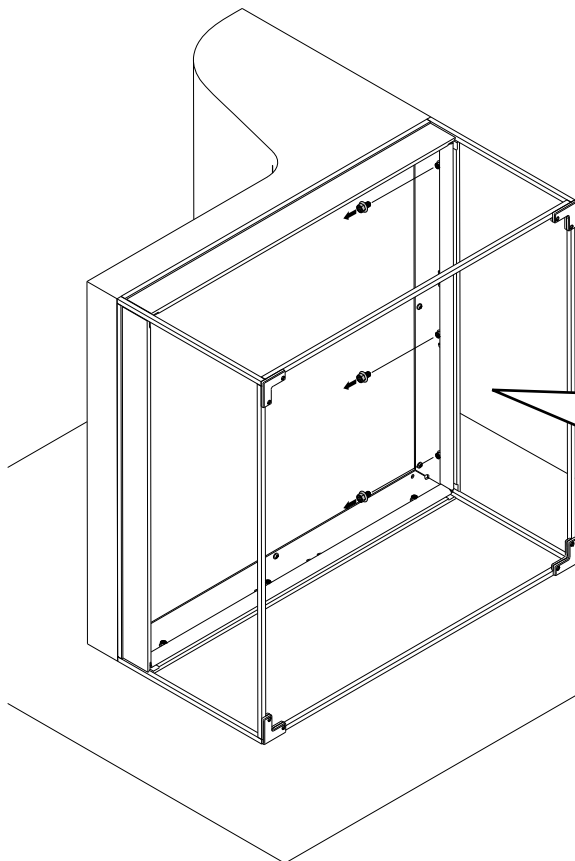
Printed in U.S.A.

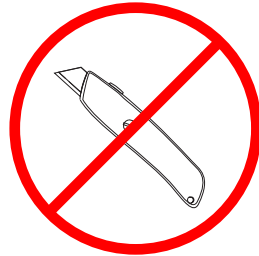
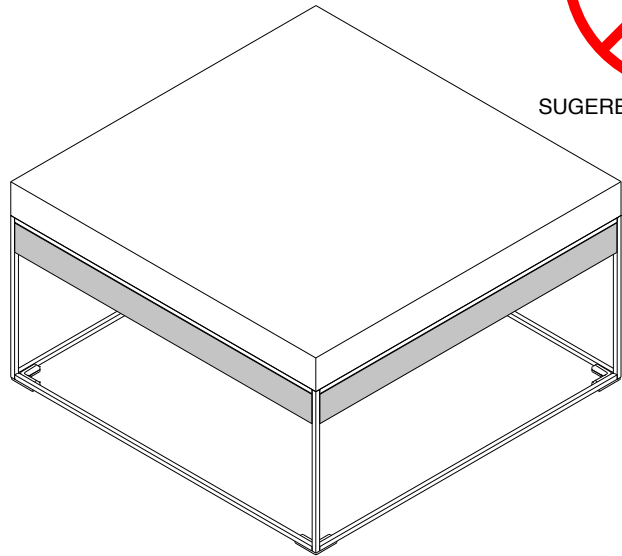
Fascia Assembly



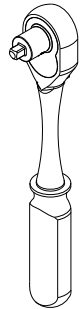
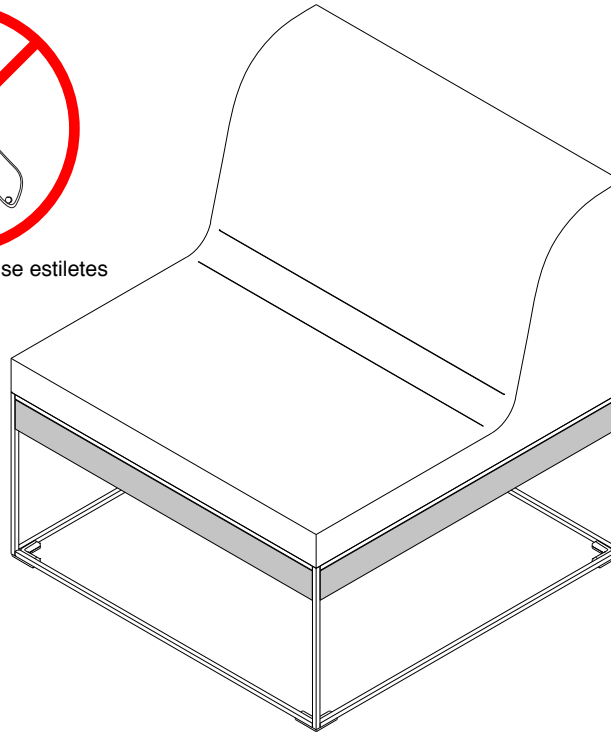
NOTE: Three loose threaded inserts could potentially fallout of the fascia.

NOTE: 15" fascia only require 2 screws.





SUGERENCIA: No use estiletes



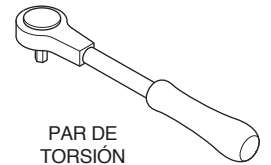
PUEDA SER
NECESARIO AÑADIR
UNA EXTENSIÓN



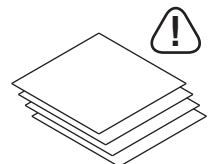
3/8"



9/16"



PAR DE
TORSIÓN
(30 lbs-pulg.)



COBERTURAS
PROTECTORAS

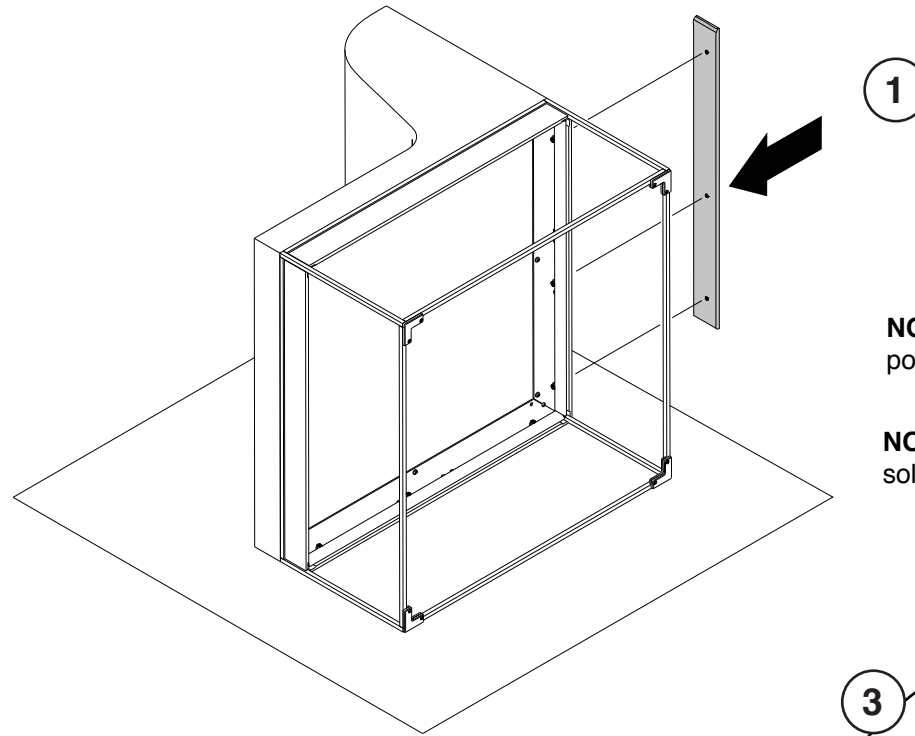
If you have a problem, question, or request, call your local dealer, or Steelcase Line 1 at **888.STEELCASE** (888.783.3522) for immediate action by people who want to help you.

(Outside the U.S.A., Canada, Mexico, Puerto Rico, and the U.S. Virgin Islands, call: 1.616.247.2500) Or visit our website: www.steelcase.com

© 2017 Steelcase Inc.
Grand Rapids, MI 49501
U.S.A.

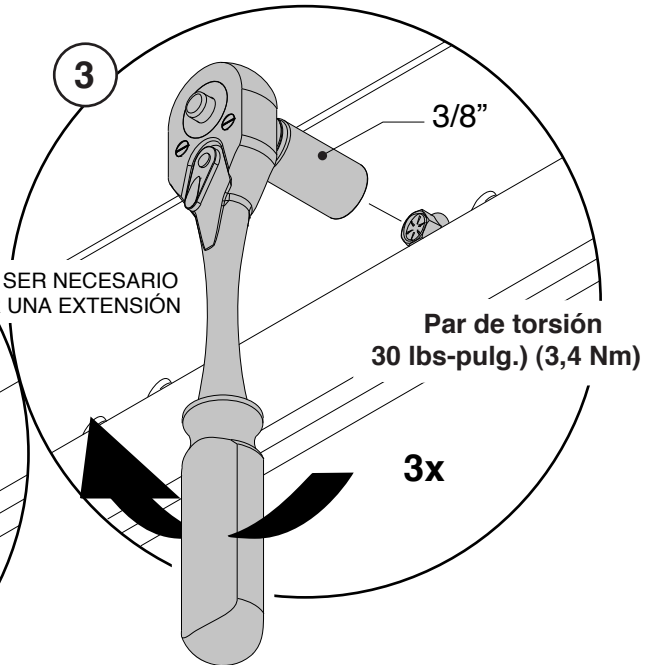
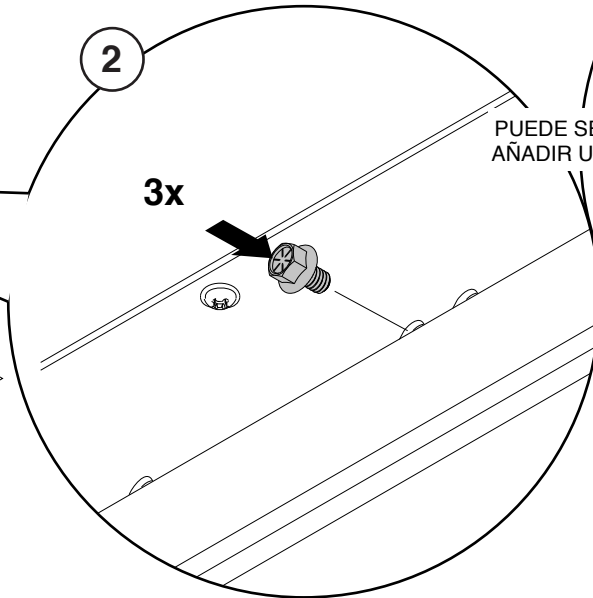
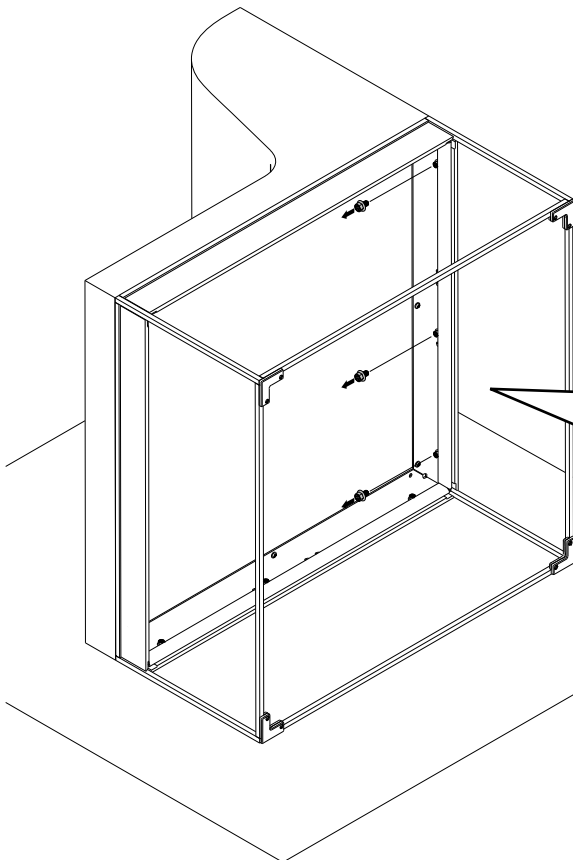
Printed in U.S.A.

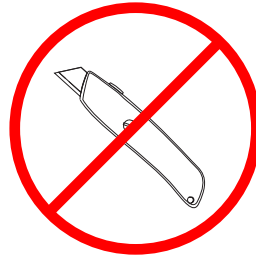
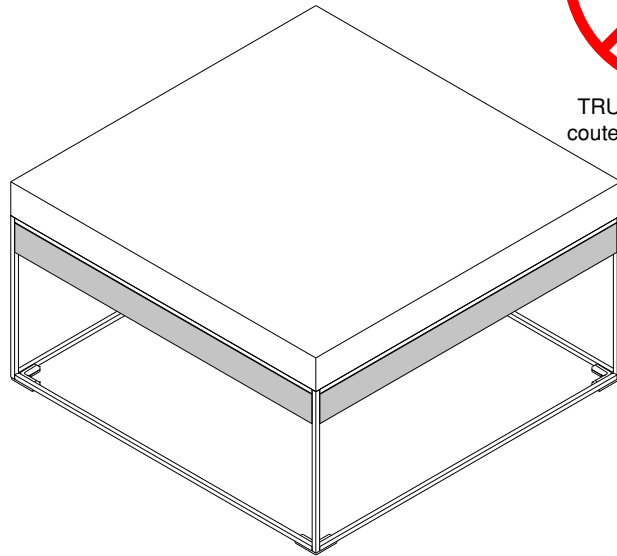
Ensamble de la tabla frontal



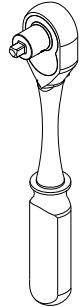
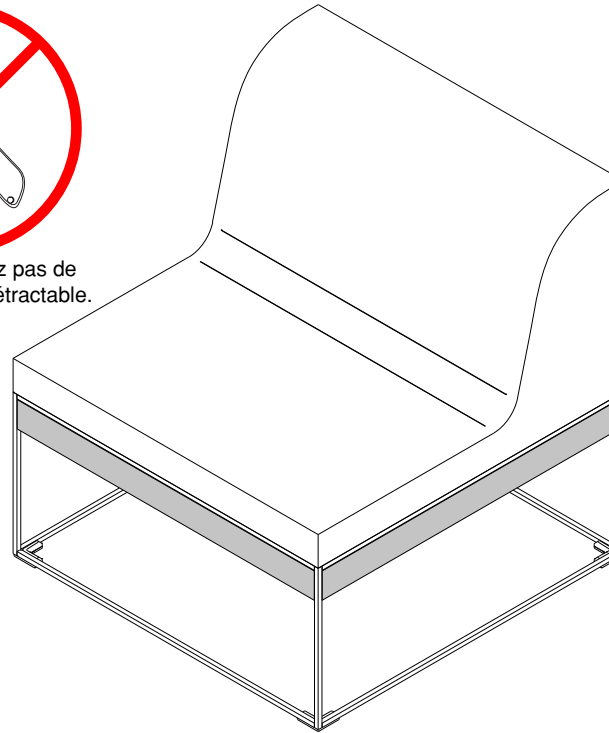
NOTA: Tres insertos de rosca flojos podrían posiblemente caerse de la tabla frontal.

NOTA: La tabla frontal de 15 pulgadas solo requiere 2 tornillos.





TRUC : N'utilisez pas de couteau à lame rétractable.



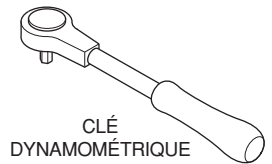
PEUT EXIGER L'AJOUT D'UNE RALLONGE



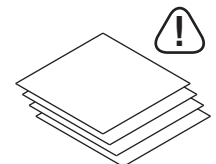
3/8"



9/16"



CLÉ DYNAMOMÉTRIQUE (30 po-lb)



COUVERTURES PROTECTRICES

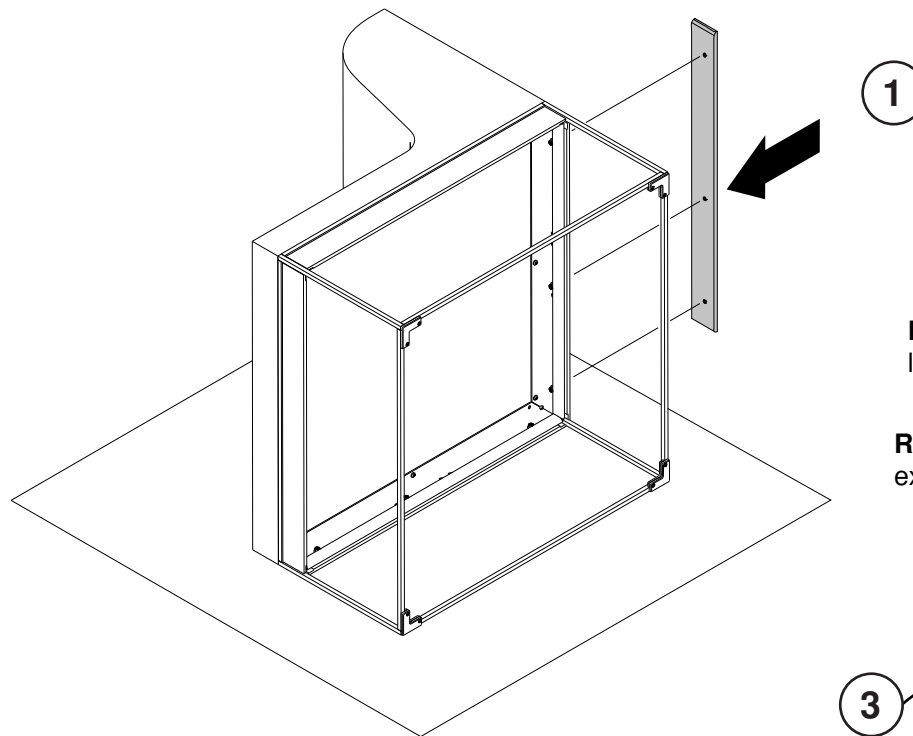
If you have a problem, question, or request, call your local dealer, or Steelcase Line 1 at **888.STEELCASE** (888.783.3522) for immediate action by people who want to help you.

(Outside the U.S.A., Canada, Mexico, Puerto Rico, and the U.S. Virgin Islands, call: 1.616.247.2500) Or visit our website: www.steelcase.com

© 2017 Steelcase Inc.
Grand Rapids, MI 49501
U.S.A.

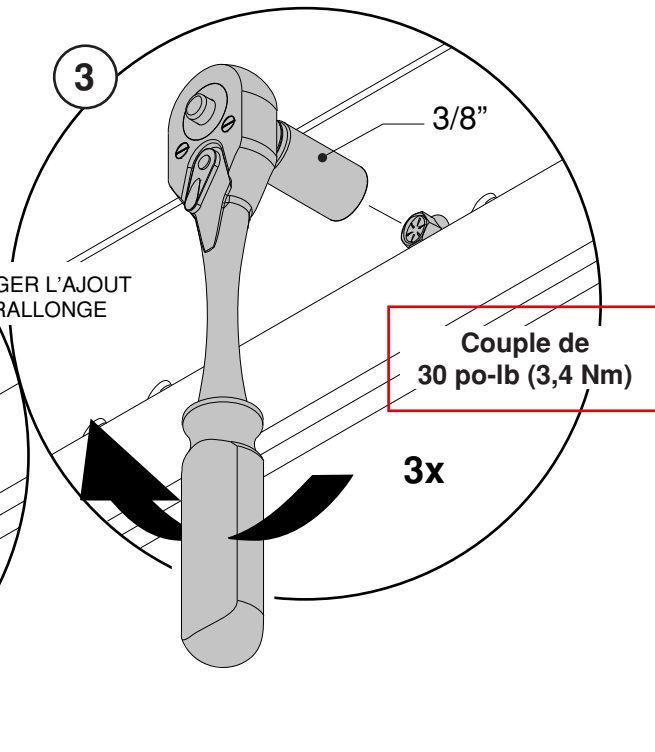
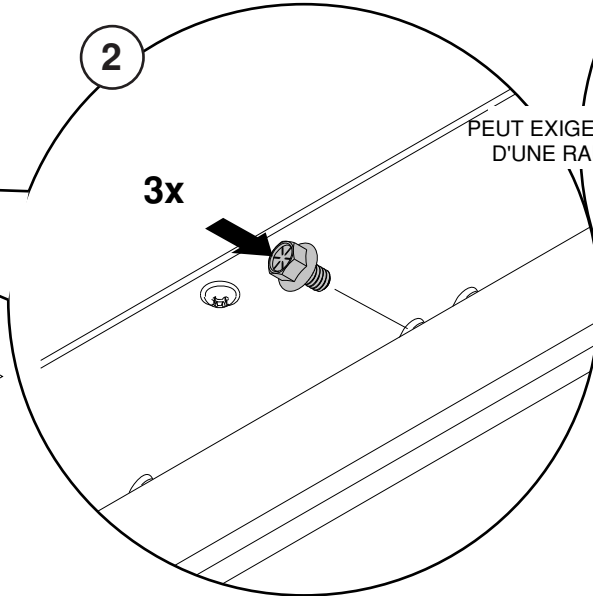
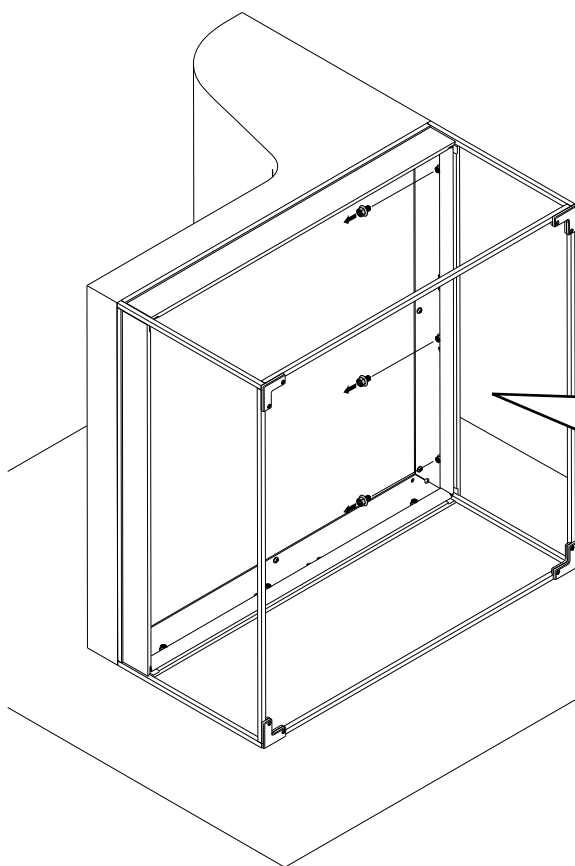
Printed in U.S.A.

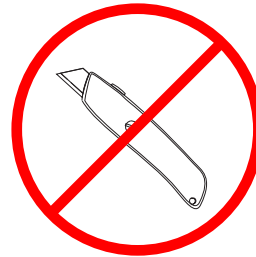
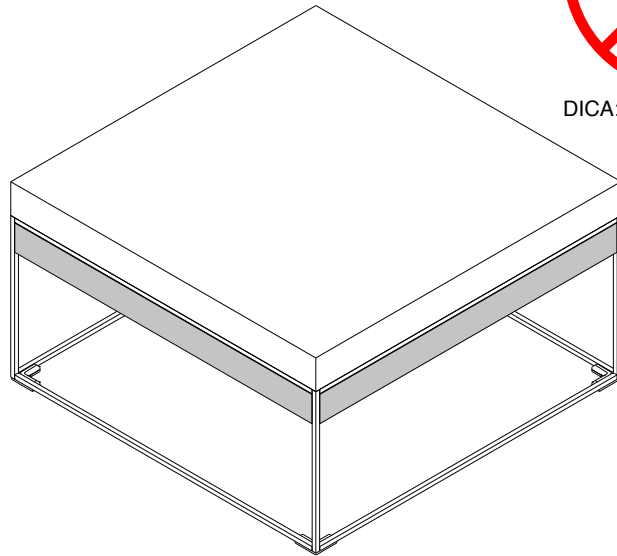
Assemblage des bandeaux



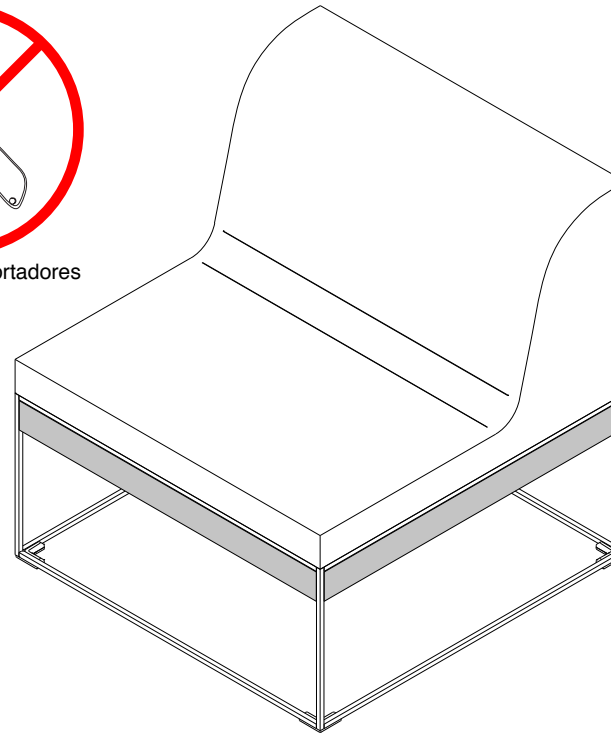
REMARQUE : Trois douilles filetées lâches pourraient tomber du bandeau.

REMARQUE : Les bandeaux de 15 po exigent uniquement 2 vis.





DICA: Não use cortadores de caixa

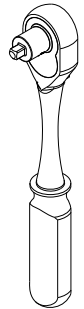


If you have a problem, question, or request, call your local dealer, or Steelcase Line 1 at **888.STEELCASE** (888.783.3522) for immediate action by people who want to help you.

(Outside the U.S.A., Canada, Mexico, Puerto Rico, and the U.S. Virgin Islands, call: 1.616.247.2500)
Or visit our website: www.steelcase.com

© 2017 Steelcase Inc.
Grand Rapids, MI 49501
U.S.A.

Printed in U.S.A.



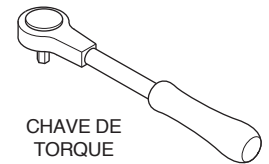
TALVEZ SEJA NECESSÁRIO ADICIONAR UMA EXTENSÃO



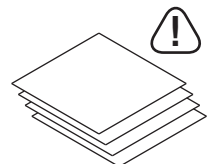
3/8"



9/16"

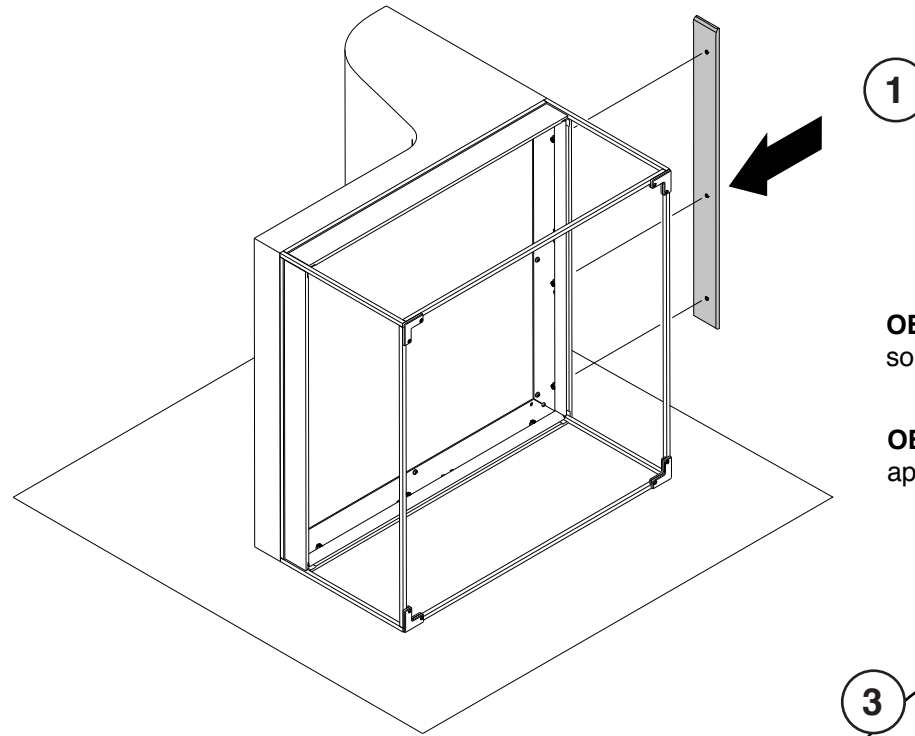


CHAVE DE TORQUE
(30 lb-pé)



REVESTIMENTOS PROTETORES

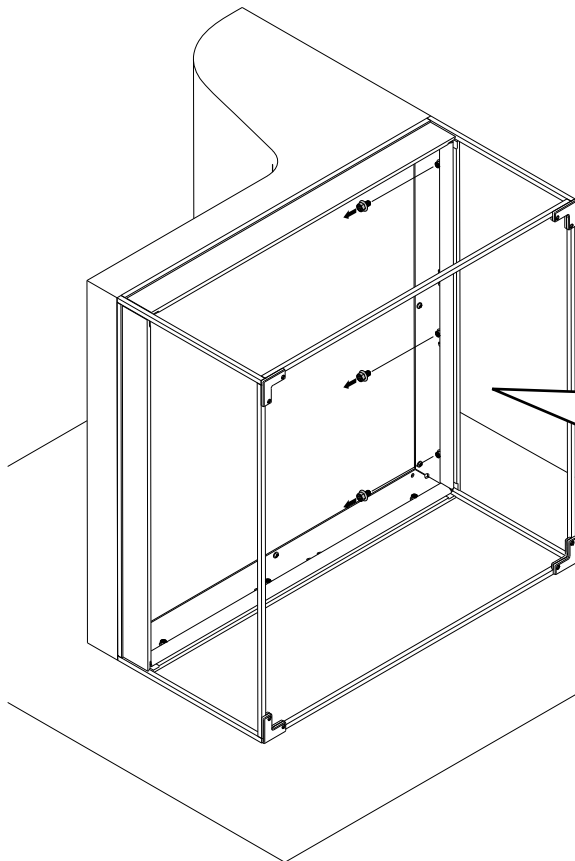
Montagem de fâscias



1

OBSERVAÇÃO: Três insertos roscados soltos podem potencialmente cair da fâscia.

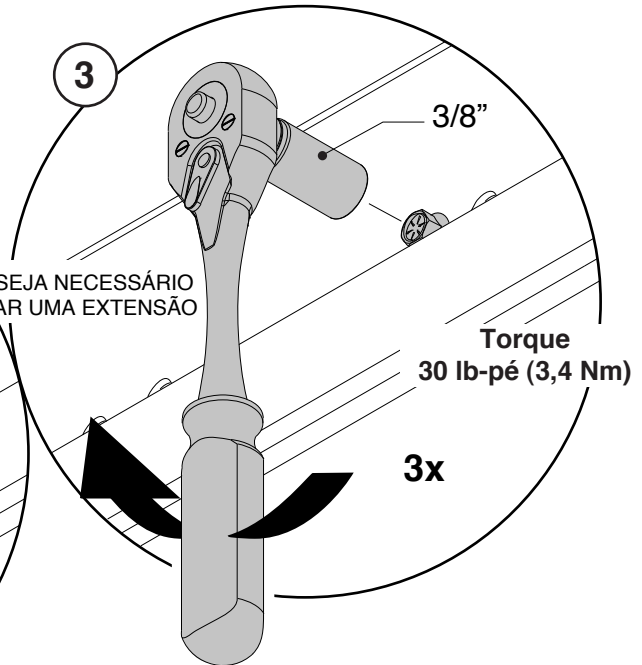
OBSERVAÇÃO: Fâscias de 15" exigem apenas dois parafusos.



2

3x

TALVEZ SEJA NECESSÁRIO
ADICIONAR UMA EXTENSÃO

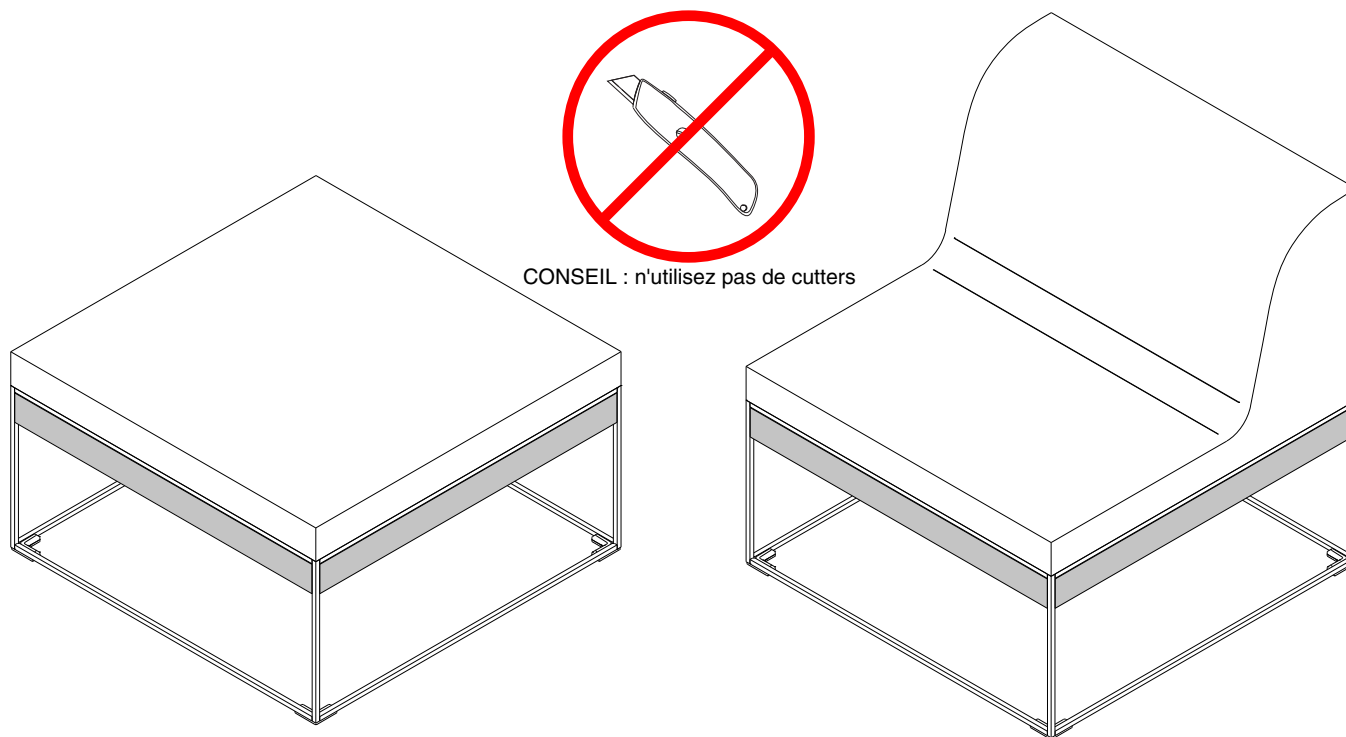


3

3/8"

Torque
30 lb-pé (3,4 Nm)

3x

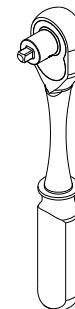


If you have a problem, question, or request, call your local dealer, or Steelcase Line 1 at **888.STEELCASE** (888.783.3522) for immediate action by people who want to help you.

(Outside the U.S.A., Canada, Mexico, Puerto Rico, and the U.S. Virgin Islands, call: 1.616.247.2500)
Or visit our website: www.steelcase.com

© 2017 Steelcase Inc.
Grand Rapids, MI 49501
U.S.A.

Printed in U.S.A.



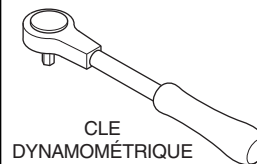
PEUT NéCESSITER
L'AJOUT D'UN
RACCORD



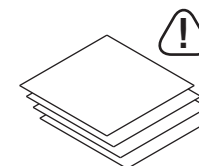
3/8"



9/16"

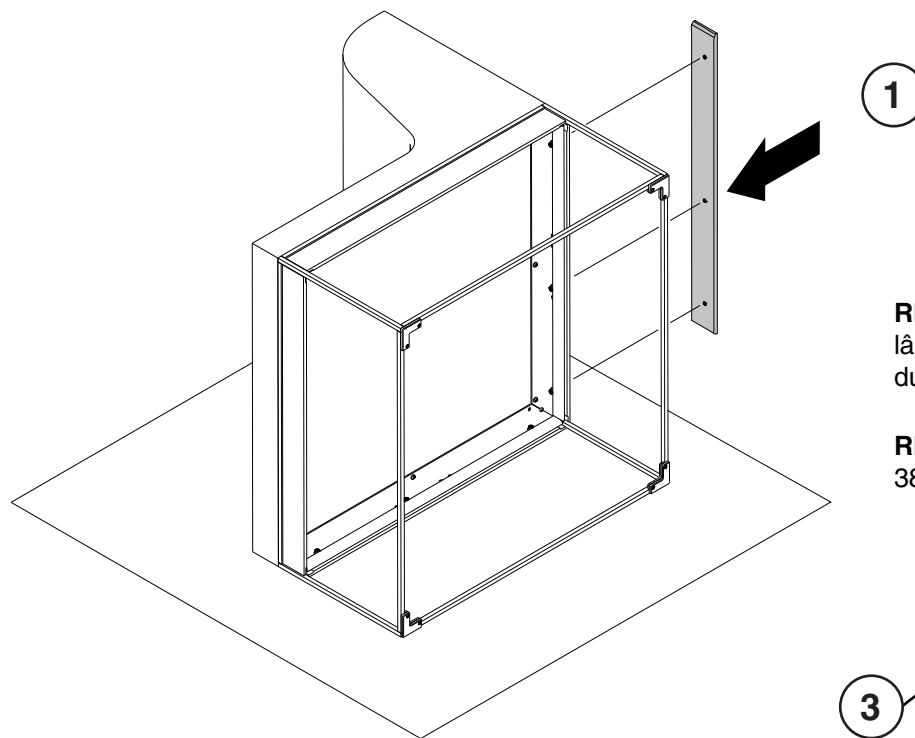


CLE
DYNAMOMÉTRIQUE
(30 po-lbs)



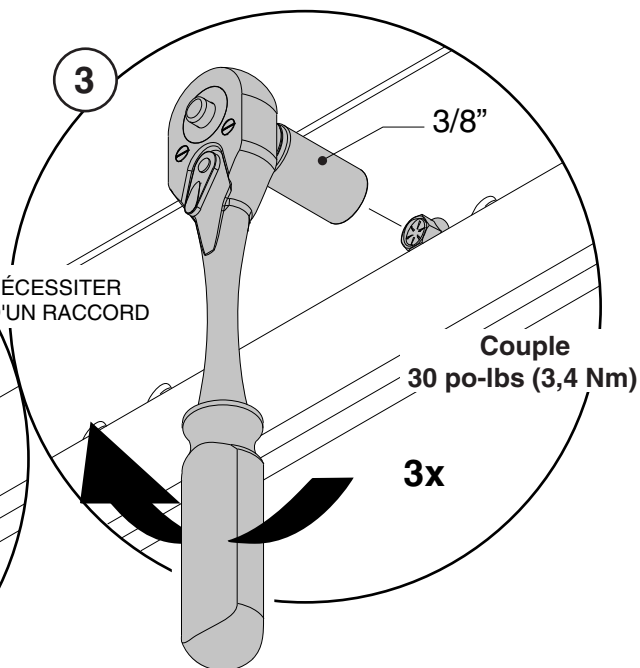
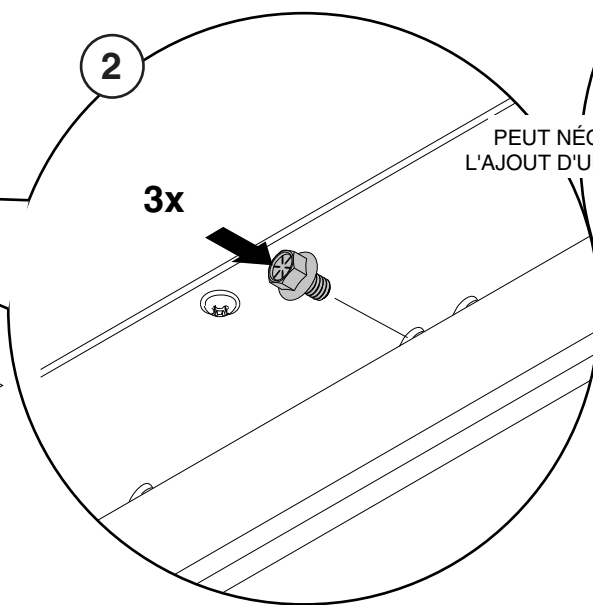
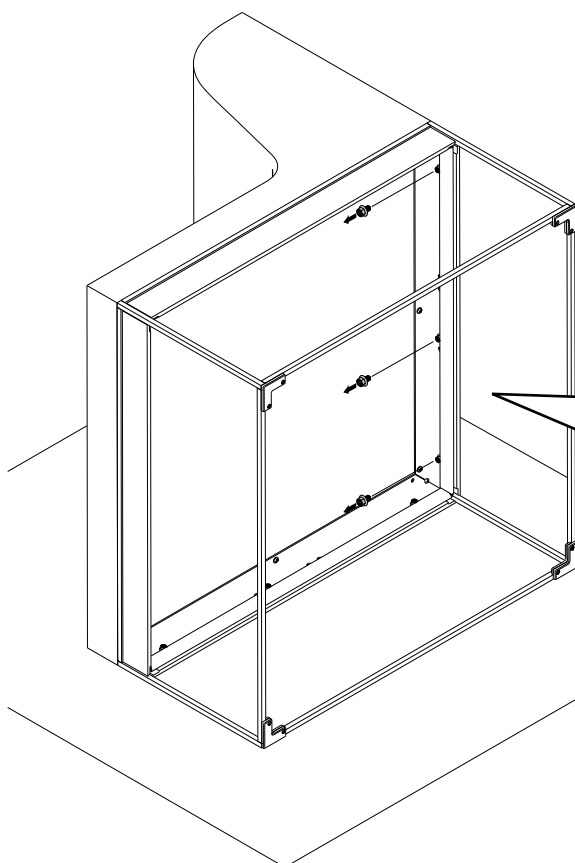
COUVERTURES DE
PROTECTION

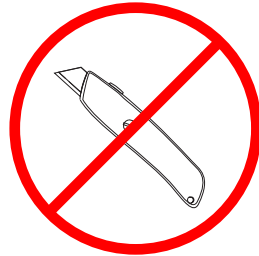
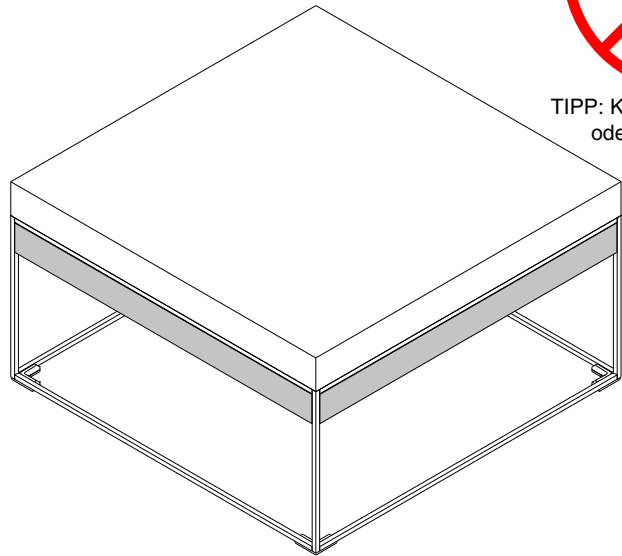
Montage du panneau



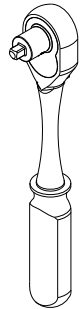
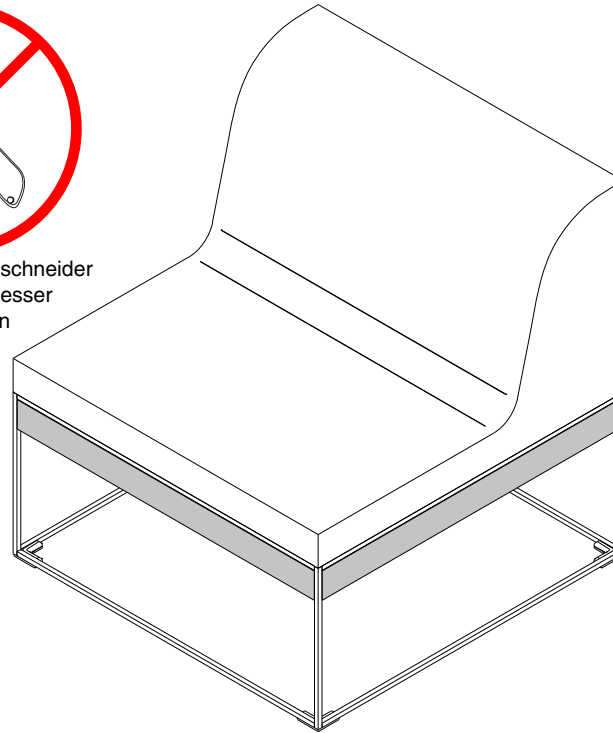
REMARQUE : Trois filets rapportés lâches pourraient potentiellement tomber du panneau.

REMARQUE : Le panneau de 38 cm (15 po) ne nécessite que 2 vis





TIPP: Keine Kartonschneider
oder Teppichmesser
verwenden



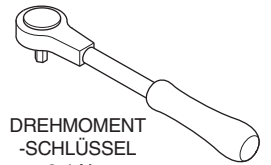
EVTL. IST EINE
VERLÄNGERUNG
ERFORDERLICH



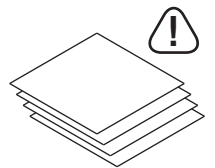
3/8"



9/16"



DREHMOMENT
-SCHLÜSSEL
3,4 Nm



SCHUTZDECKEN

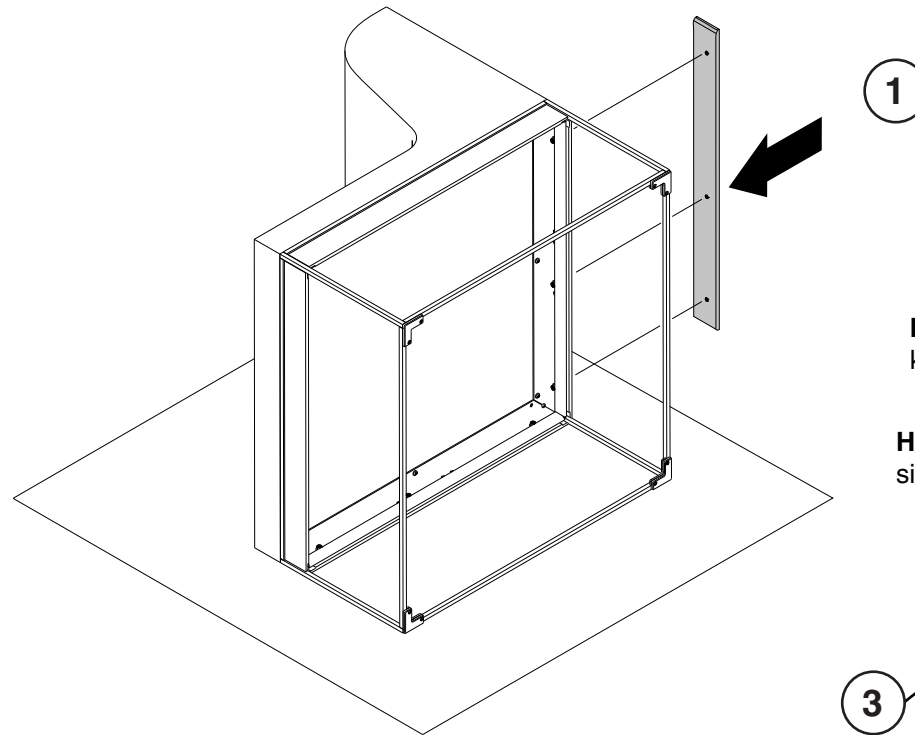
If you have a problem, question, or request, call
your local dealer, or Steelcase Line 1 at
888.STEELCASE (888.783.3522)
for immediate action by people who want to help you.

(Outside the U.S.A., Canada, Mexico, Puerto Rico,
and the U.S. Virgin Islands, call: 1.616.247.2500)
Or visit our website: www.steelcase.com

© 2017 Steelcase Inc.
Grand Rapids, MI 49501
U.S.A.

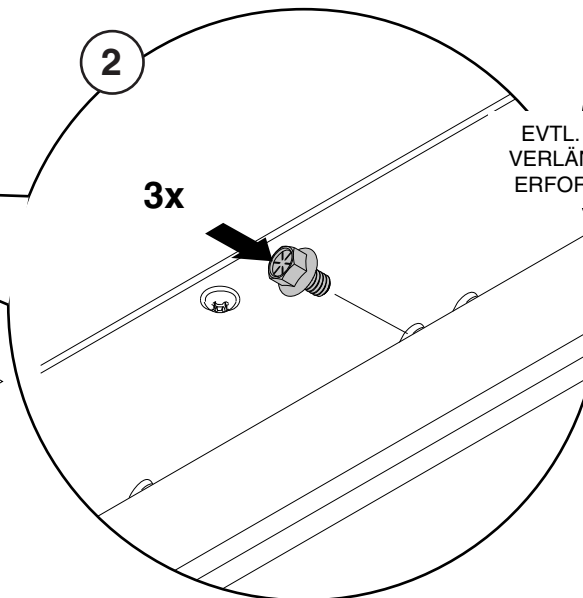
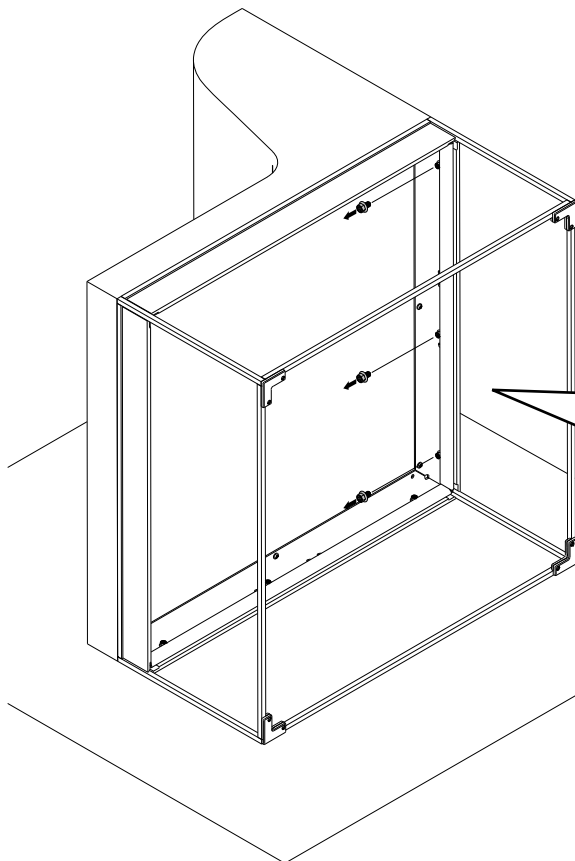
Printed in U.S.A.

Blendenmontage

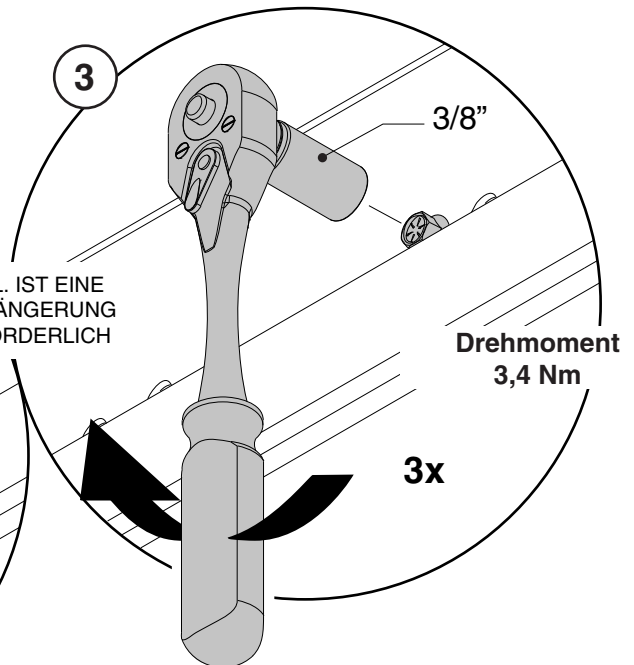


HINWEIS: Die drei Gewindeeinsätze können aus der Blende fallen.

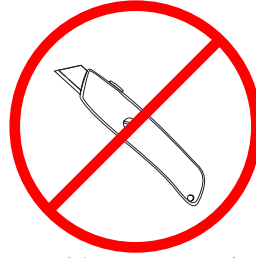
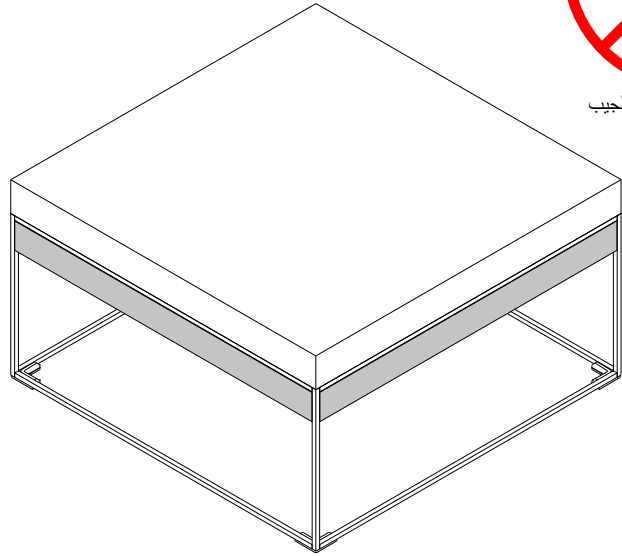
HINWEIS: Für die 18 cm langen Blende sind nur zwei Schrauben erforderlich



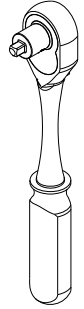
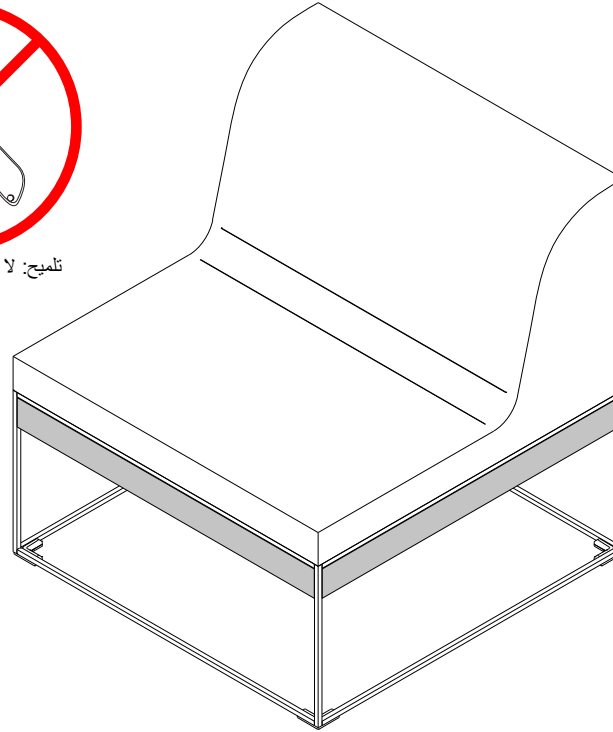
EVTL. IST EINE
VERLÄNGERUNG
ERFORDERLICH



Drehmoment
3,4 Nm



تلميح: لا تستخدم مشرط الجيب



قد يستلزم الأمر إضافة وصلة



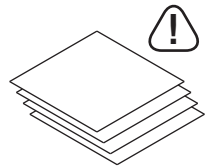
3/8"



9/16"



مفتاح ربط
عزم الدوران
(30 بوسترطل)



أغطية واقية

If you have a problem, question, or request, call your local dealer, or Steelcase Line 1 at **888.STEELCASE** (888.783.3522) for immediate action by people who want to help you.

(Outside the U.S.A., Canada, Mexico, Puerto Rico, and the U.S. Virgin Islands, call: 1.616.247.2500)

Or visit our website: www.steelcase.com

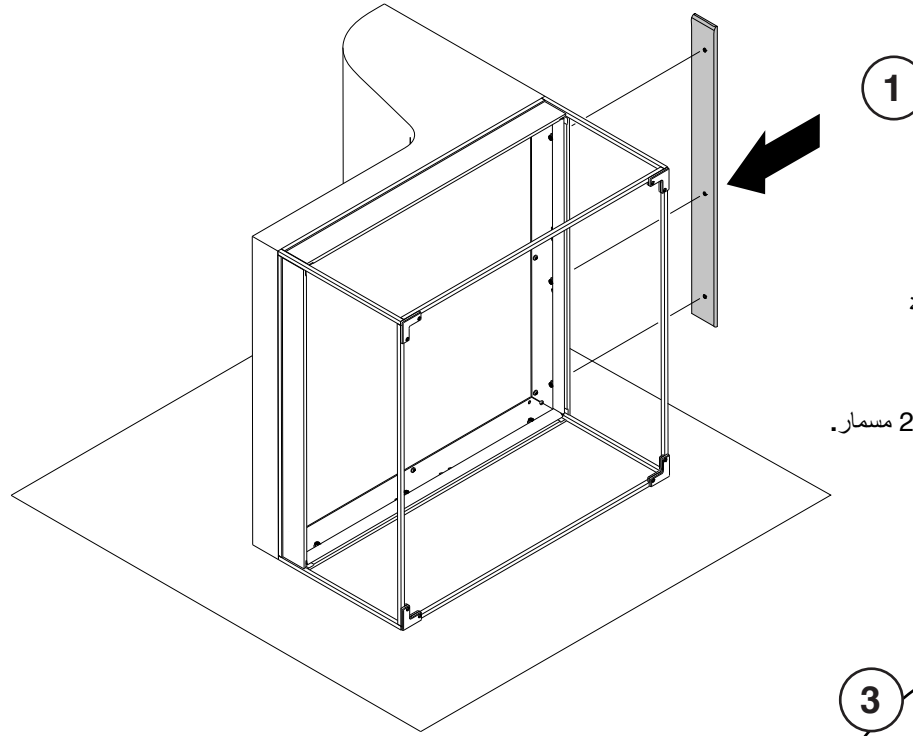
© 2017 Steelcase Inc.

Grand Rapids, MI 49501

U.S.A.

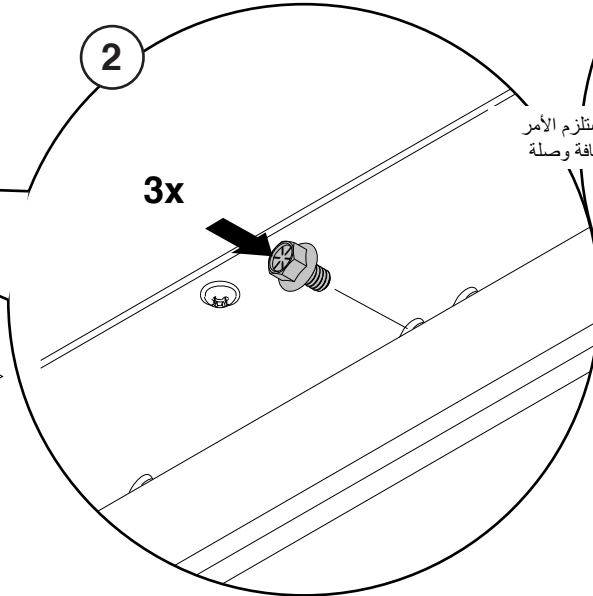
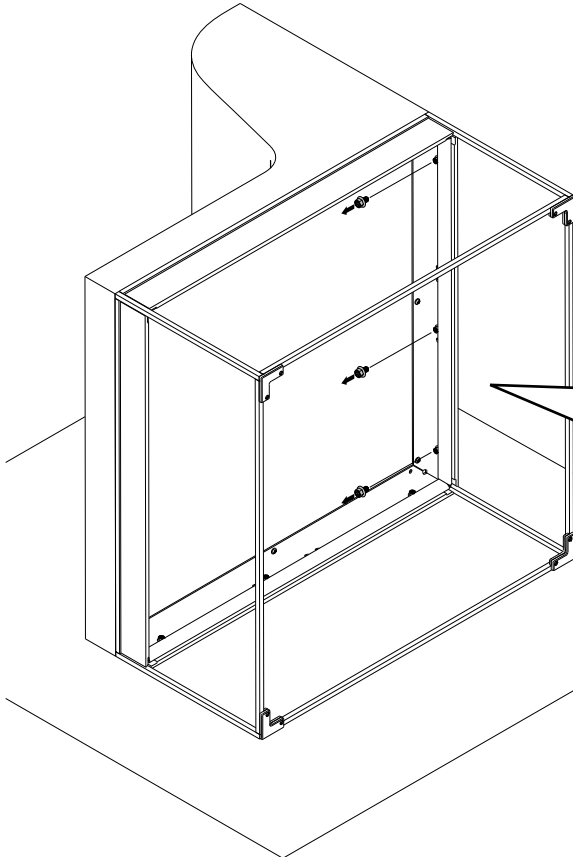
Printed in U.S.A.

تجميع العارضة



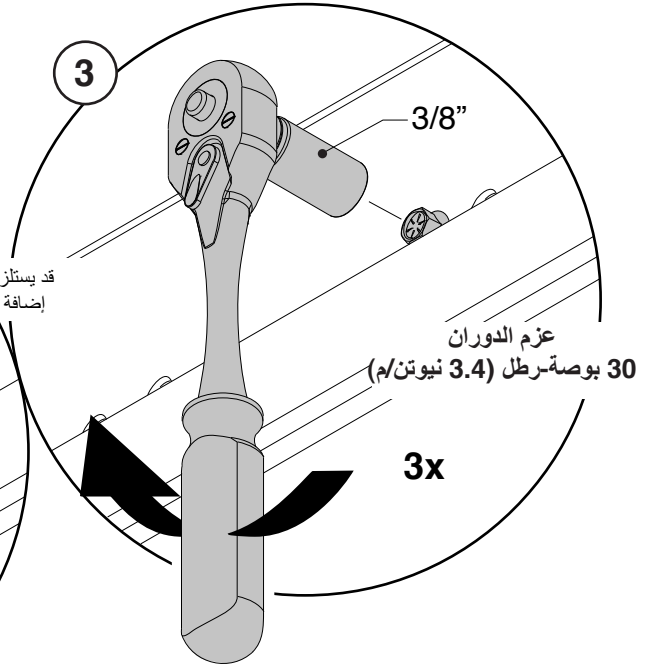
ملاحظة: من المحتمل أن تسقط الولايج الملولبة المفكوكة البالغ عددها ثلاثة من العارضة.

ملاحظة: تحتاج العارضة البالغ طولها 15 بوصة إلى عدد 2 مسمار.



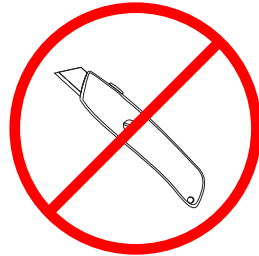
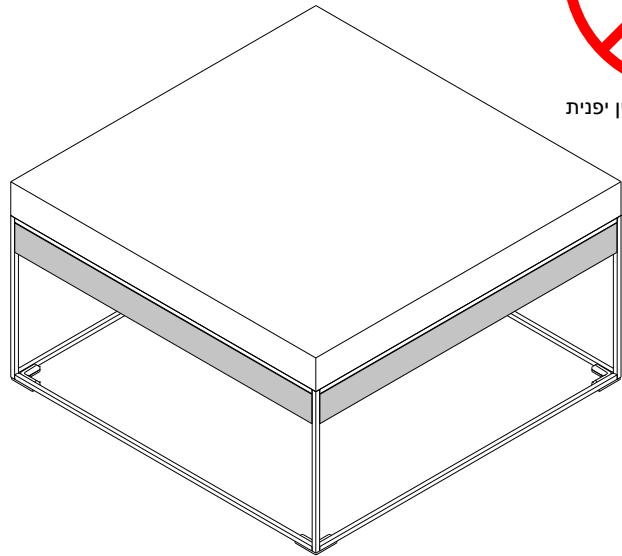
قد يستلزم الأمر
إضافة وصلة

3x

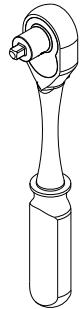
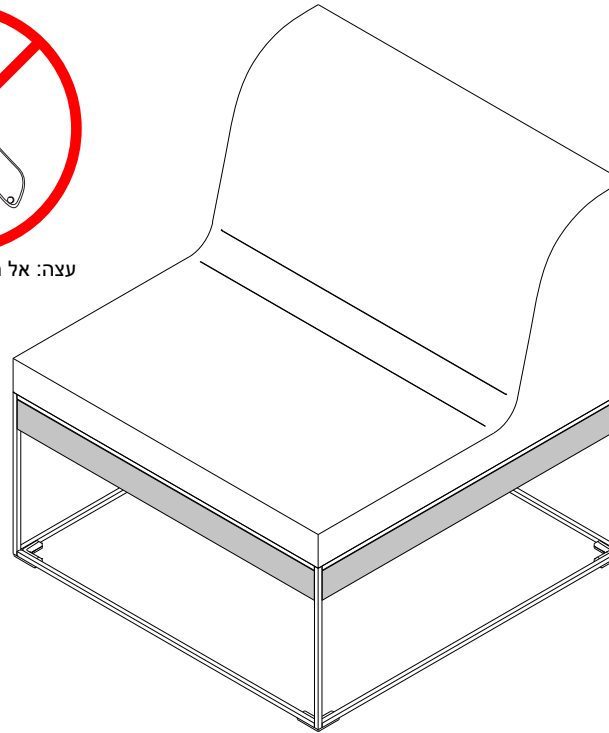


عزم الدوران
30 بوصة-رطل (3.4 نيوتن/م)

3x



עצה: אל תשתמש בסכין יפנית



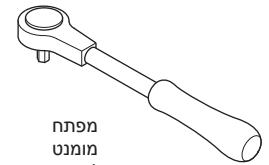
ייתכן שצריך להוסיף מאריך



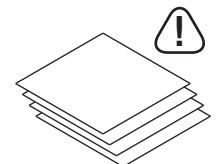
3/8"



9/16"



מפתח מומנט לברגים (30 in-lbs)



ריבודי \ כיסוי הגנה

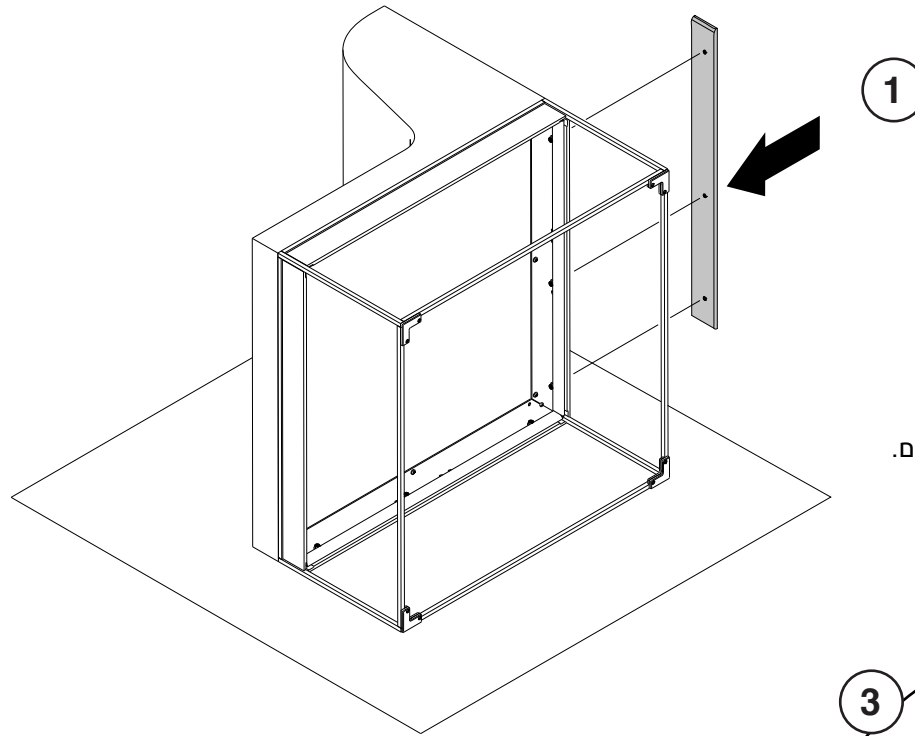
If you have a problem, question, or request, call your local dealer, or Steelcase Line 1 at **888.STEELCASE** (888.783.3522) for immediate action by people who want to help you.

(Outside the U.S.A., Canada, Mexico, Puerto Rico, and the U.S. Virgin Islands, call: 1.616.247.2500) Or visit our website: www.steelcase.com

© 2017 Steelcase Inc.
Grand Rapids, MI 49501
U.S.A.

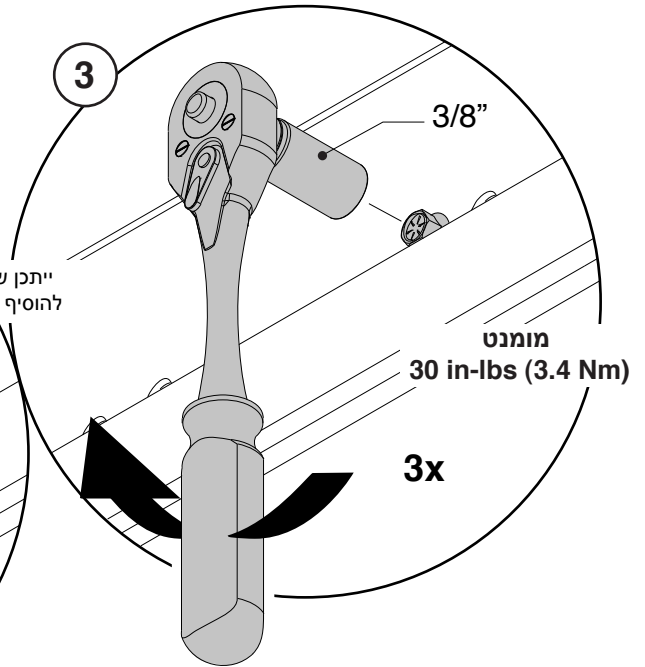
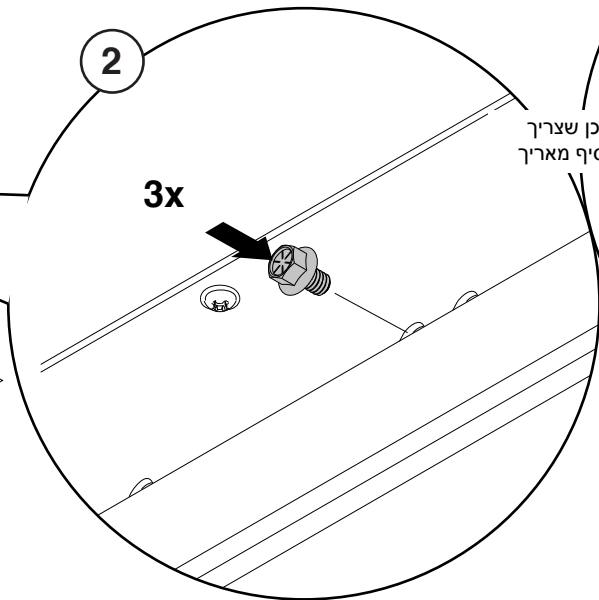
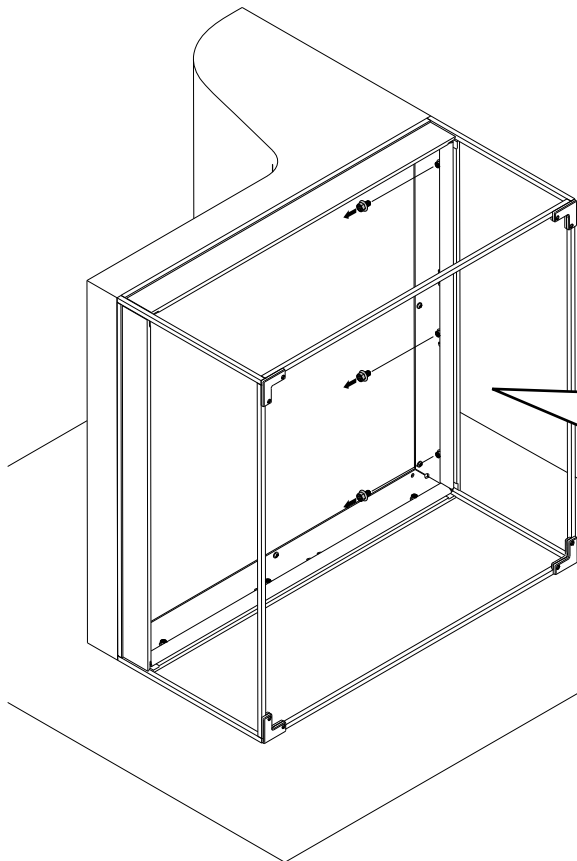
Printed in U.S.A.

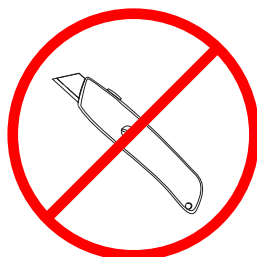
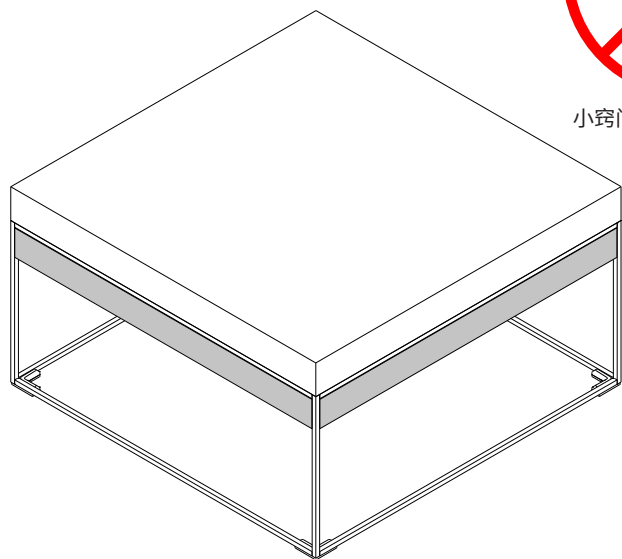
הרכבת פס כיסוי



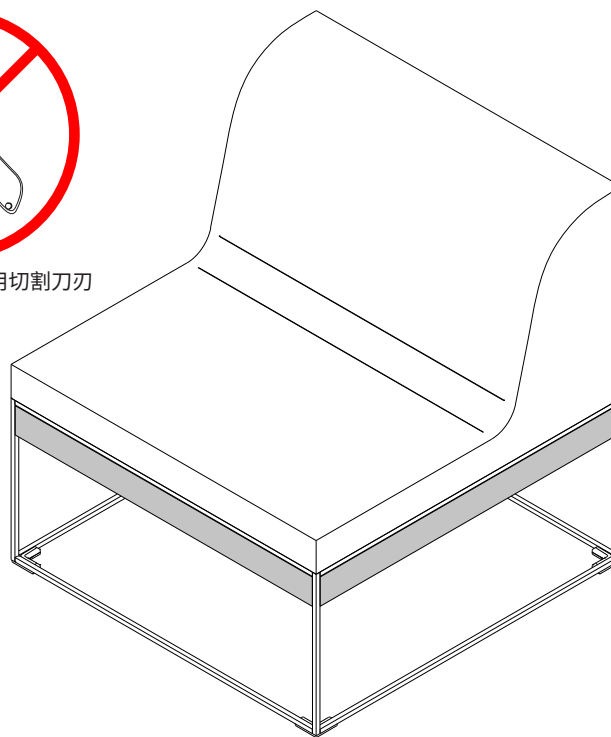
הערה: שלוש (3) תושבות עם הברגה לא מהודקת עלולות ליפול מפס הכיסוי.

הערה: לפס כיסוי באורך 15" דרושים רק 2 ברגים.





小窍门：请勿使用切割刀刃



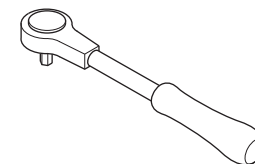
可能需要
使用延长手柄



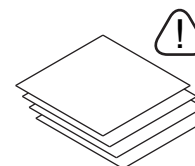
3/8"



9/16"



扭力扳手
(30 英寸-磅)



保护毯

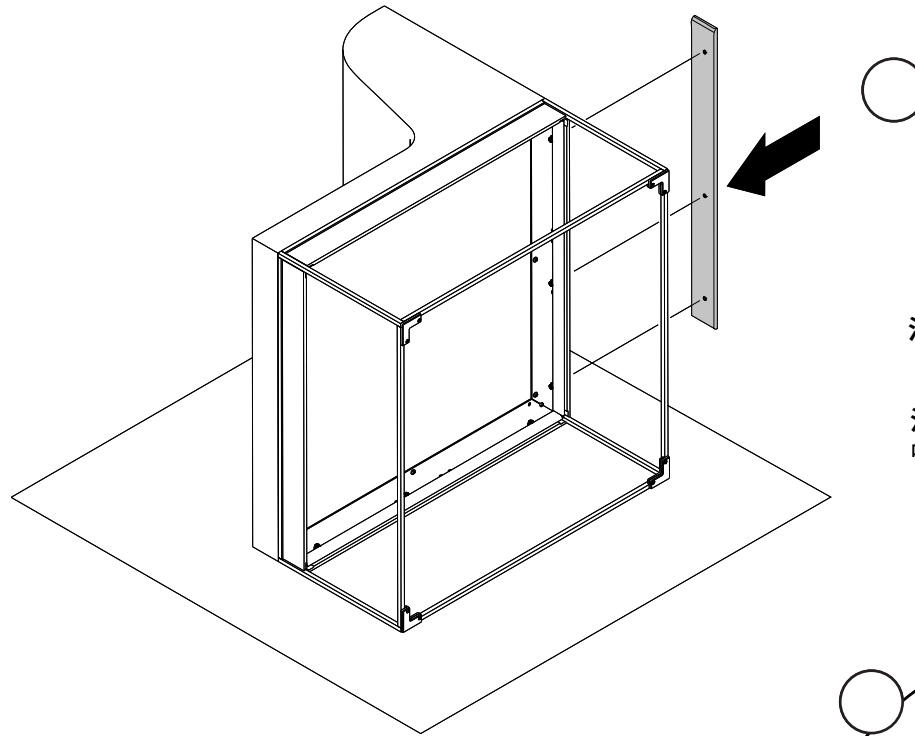
If you have a problem, question, or request, call your local dealer, or Steelcase Line 1 at **888.STEELCASE** (888.783.3522) for immediate action by people who want to help you.

(Outside the U.S.A., Canada, Mexico, Puerto Rico, and the U.S. Virgin Islands, call: 1.616.247.2500) Or visit our website: www.steelcase.com

© 2017 Steelcase Inc.
Grand Rapids, MI 49501
U.S.A.

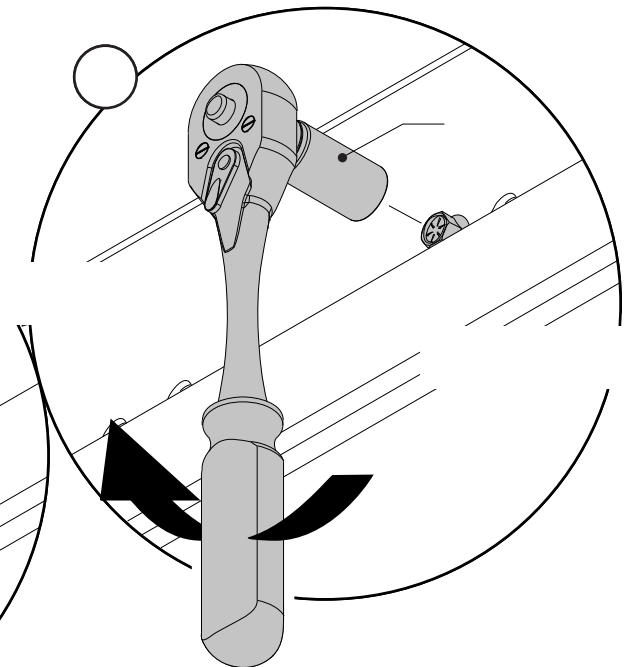
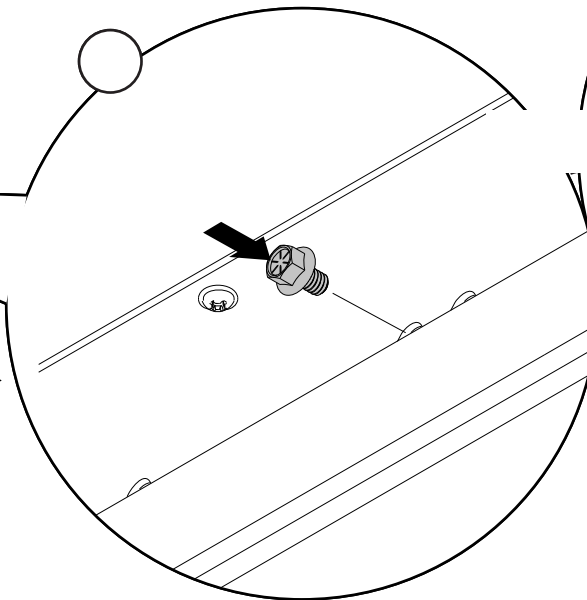
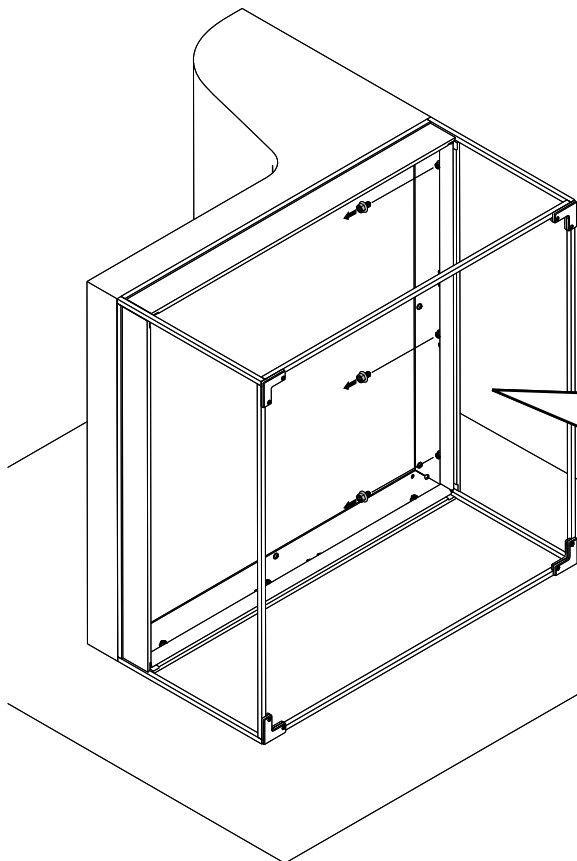
Printed in U.S.A.

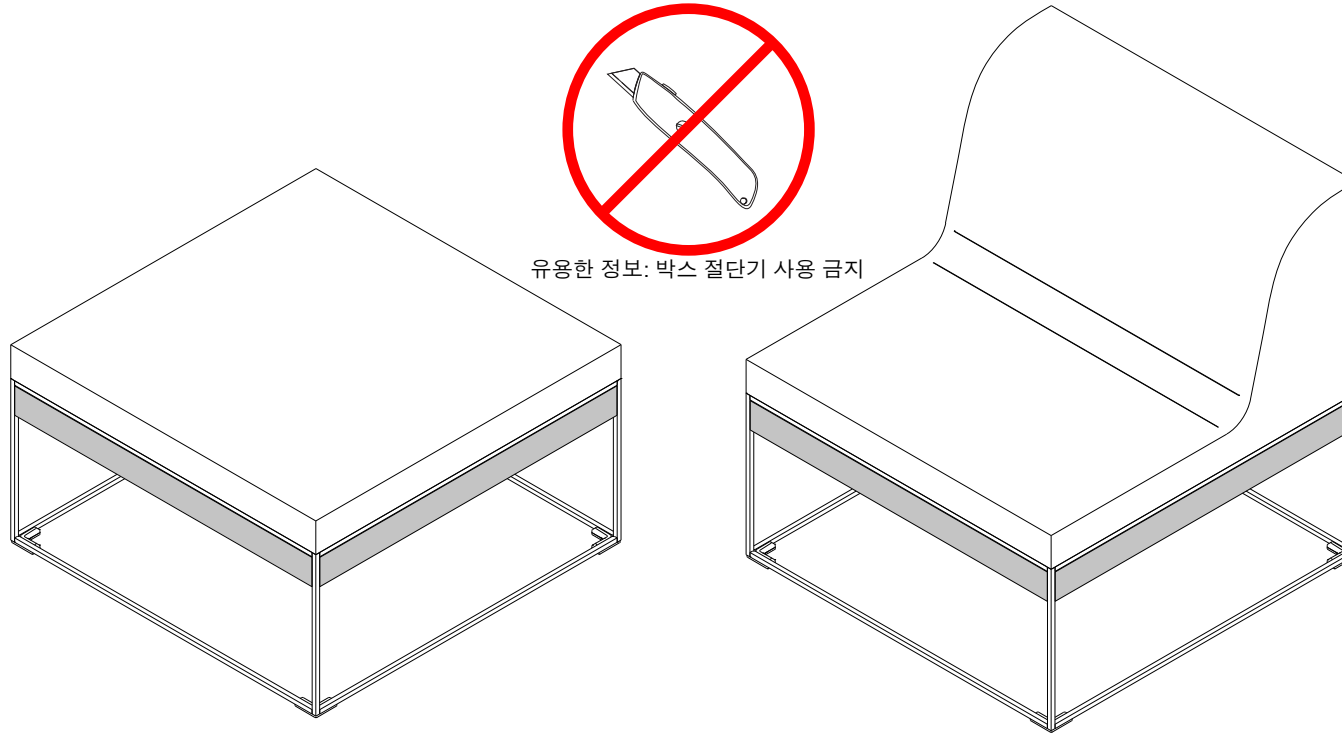
扣板安装



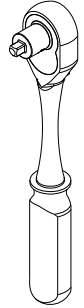
注意：15英寸的扣板只需要2颗螺丝。

注意：3处螺丝若未拧紧很可能从扣板中脱落。

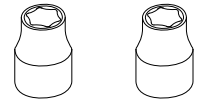




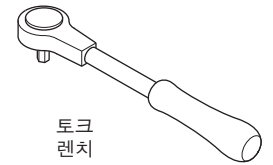
유용한 정보: 박스 절단기 사용 금지



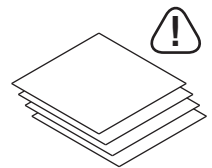
익스텐션 추가가
필요할 수 있음



3/8" 9/16"



토크
렌치
(30 in-lb)



보호용 담요

If you have a problem, question, or request, call your local dealer, or Steelcase Line 1 at **888.STEELCASE** (888.783.3522) for immediate action by people who want to help you.

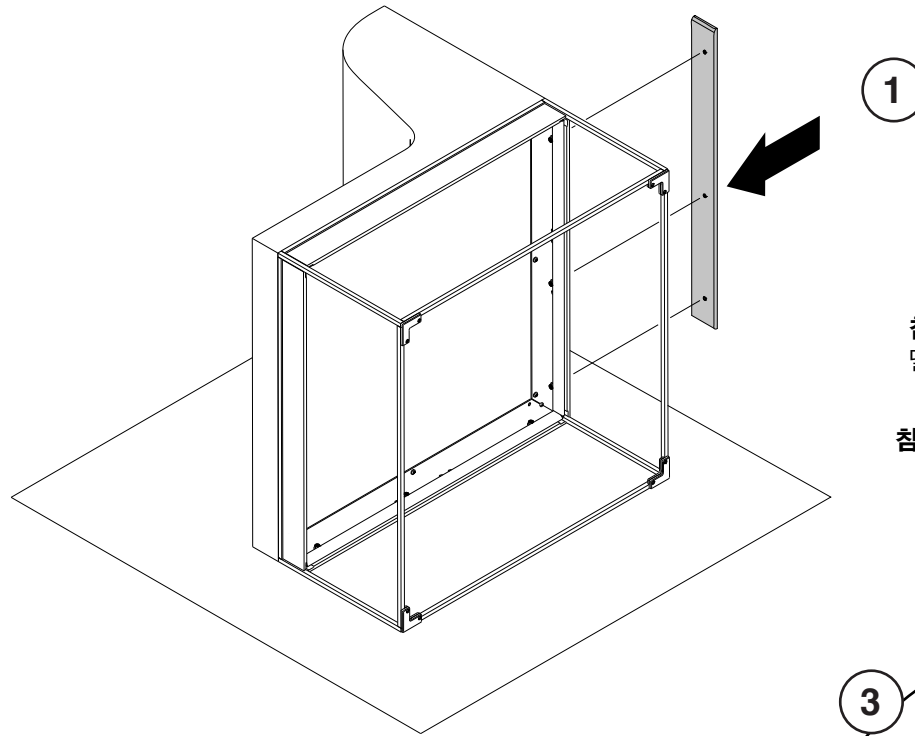
(Outside the U.S.A., Canada, Mexico, Puerto Rico, and the U.S. Virgin Islands, call: 1.616.247.2500)

Or visit our website: www.steelcase.com

© 2017 Steelcase Inc.
Grand Rapids, MI 49501
U.S.A.

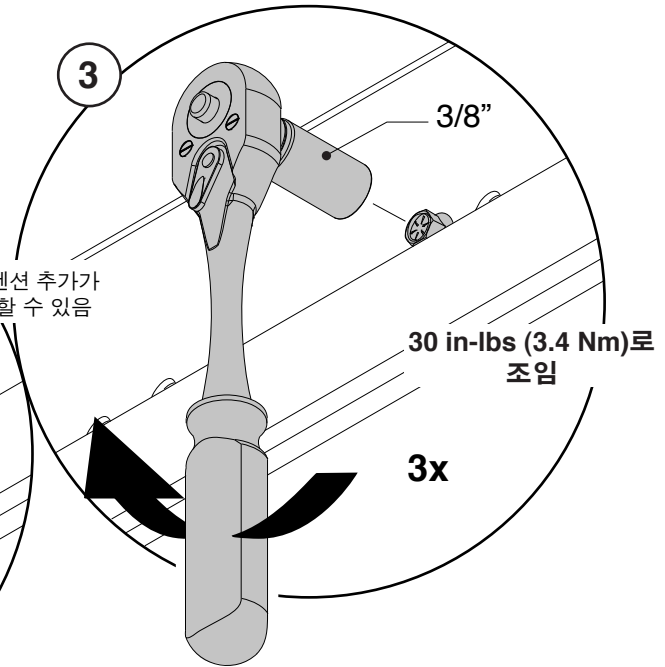
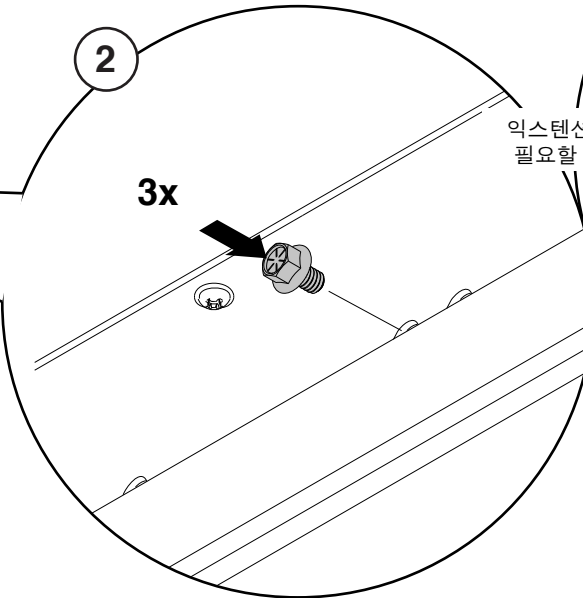
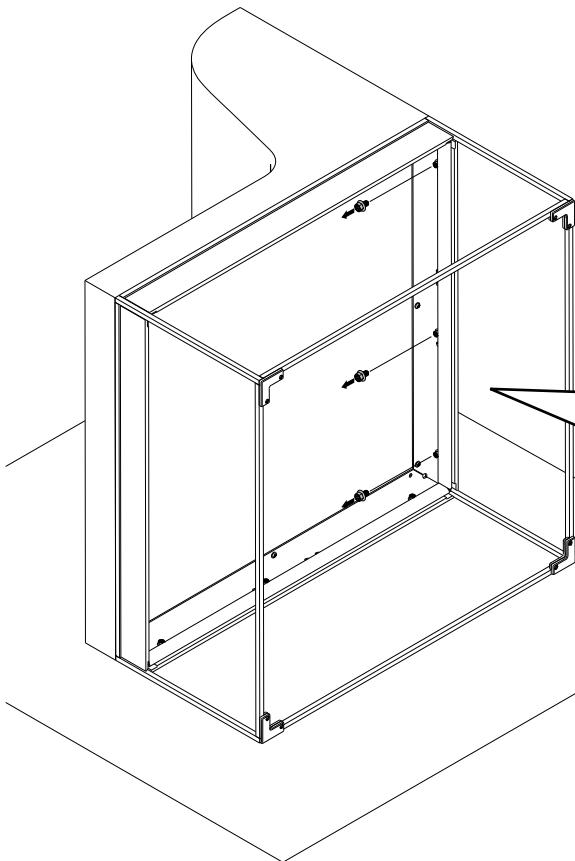
Printed in U.S.A.

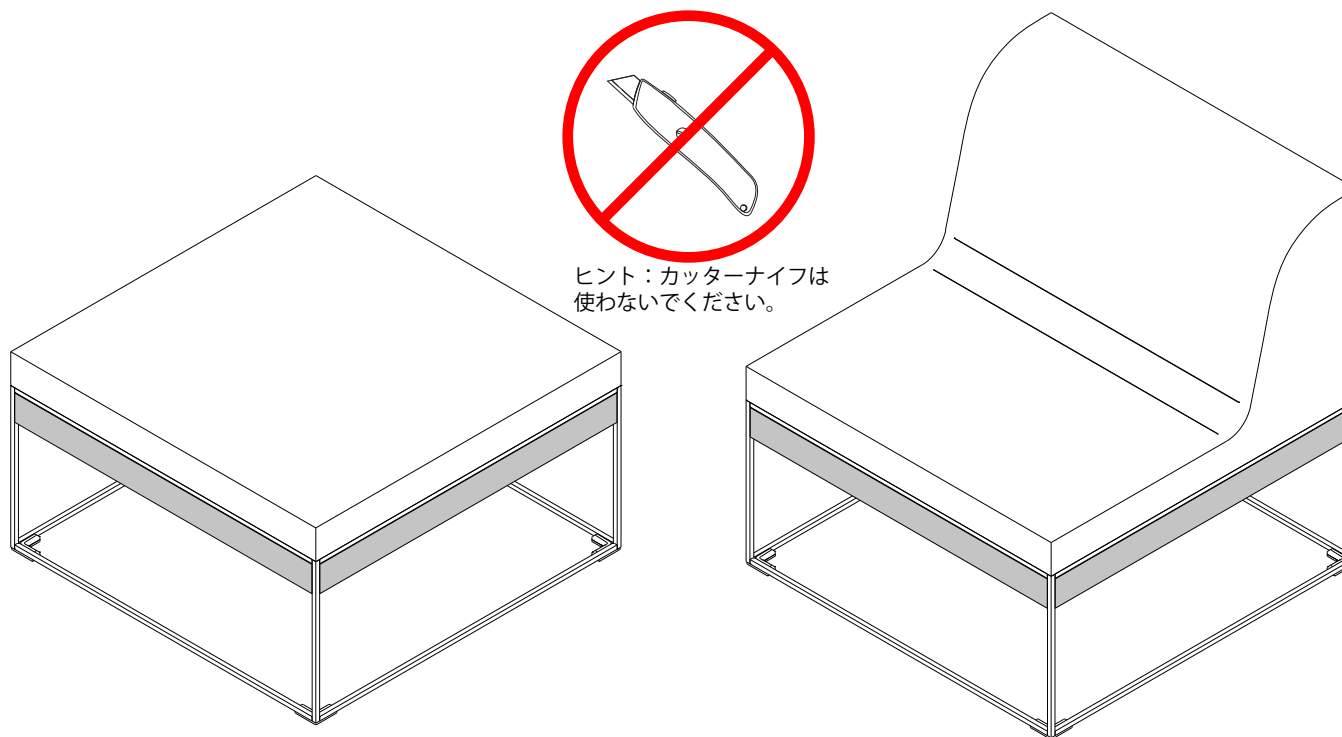
판 조립



참고: 3개의 풀린 나사 삽입부가 판에서 떨어질 수 있습니다.

참고: 15" 판에는 나사가 2개만 필요합니다.

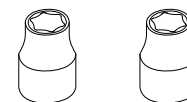




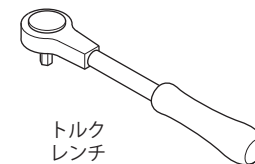
ヒント：カッターナイフは
使わないでください。



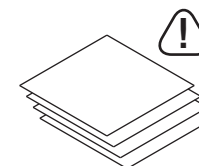
延長部が必要な
場合もある



3/8" 9/16"



トルク
レンチ
(30 in-lb)



保護用ブランケット

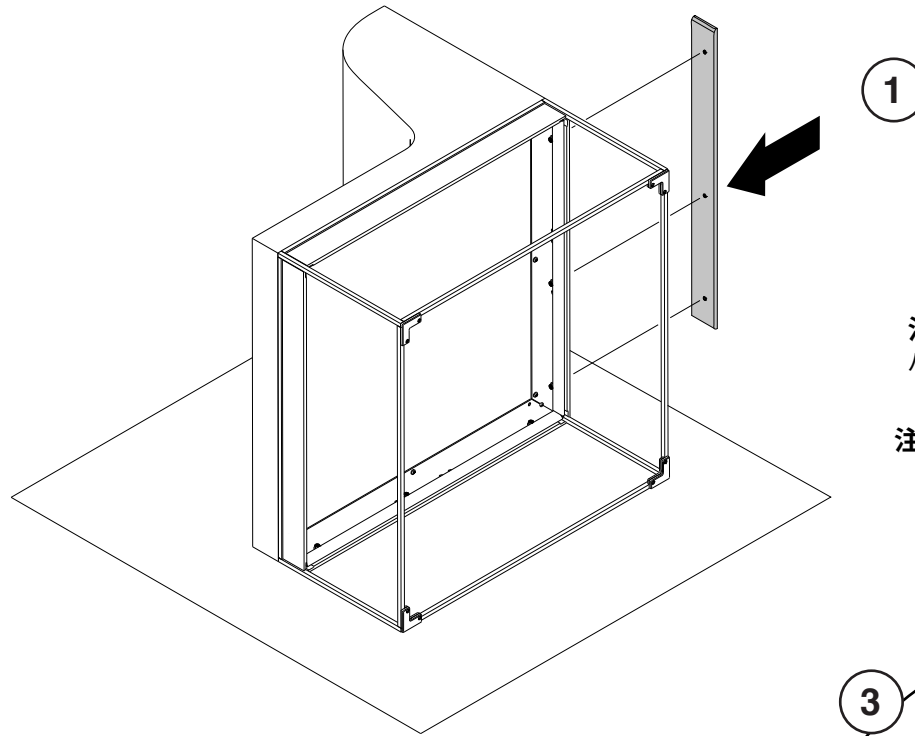
If you have a problem, question, or request, call
your local dealer, or Steelcase Line 1 at
888.STEELCASE (888.783.3522)
for immediate action by people who want to help you.

(Outside the U.S.A., Canada, Mexico, Puerto Rico,
and the U.S. Virgin Islands, call: 1.616.247.2500)
Or visit our website: www.steelcase.com

© 2017 Steelcase Inc.
Grand Rapids, MI 49501
U.S.A.

Printed in U.S.A.

パネルの組み立て



注：3枚のゆるいねじ込みインサートは、パネルから外れることがあります。

注：15"のパネルに必要なネジは2個です。

