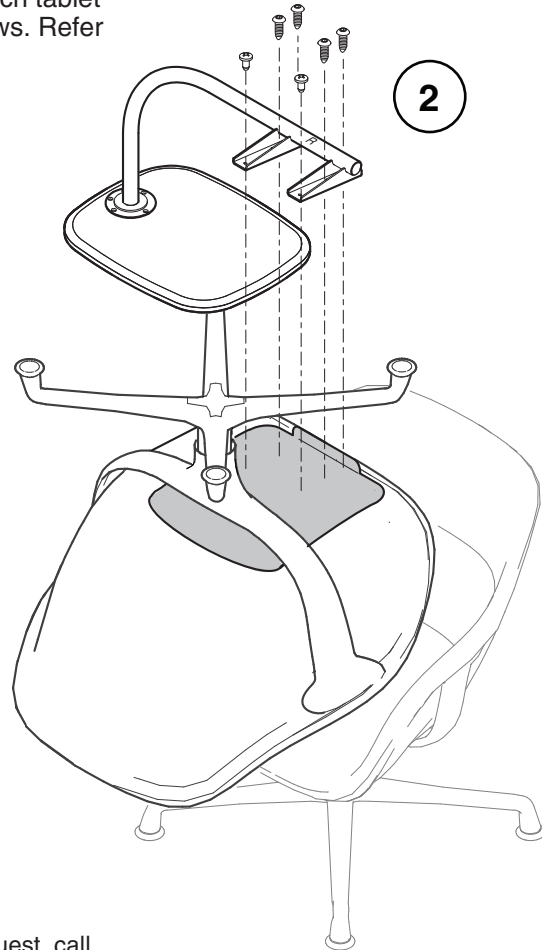
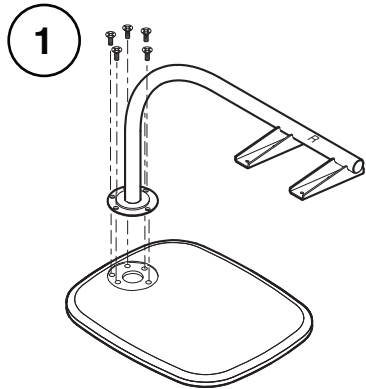
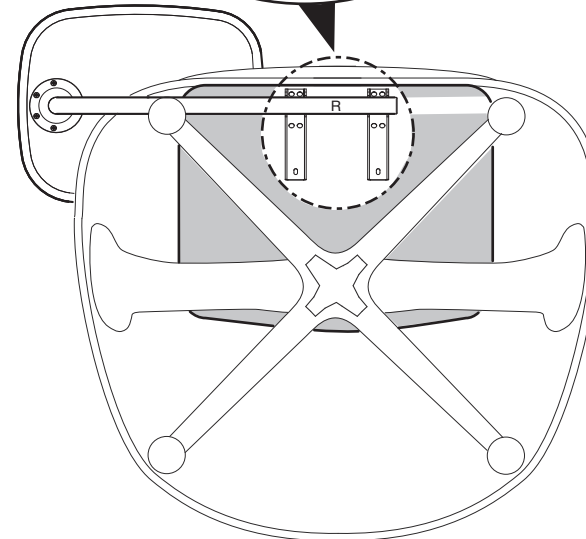
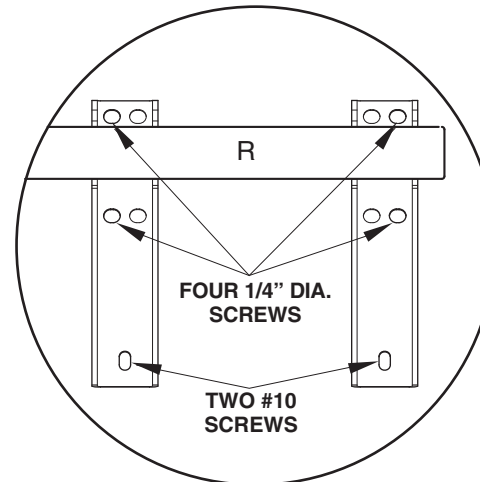


**1. Use Hand Screwdriver Only** to attach tablet arm to worksurface with five (5) screws.

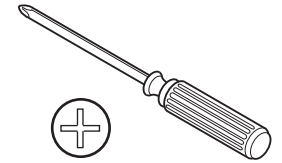
**2. Position chair upside-down and stabilize.** Another chair positioned upright may be used. Use driver with magnetic bit to attach tablet assembly to chair with six (6) screws. Refer to top view for hole locations.



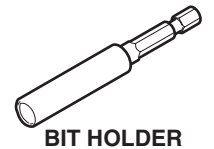
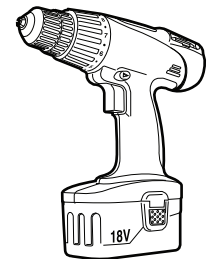
Right Hand Tablet Shown. Left Hand opposite.



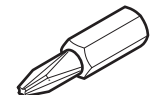
TOP VIEW



**CAUTION**  
DO NOT USE POWER DRIVER FOR STEP 1.



BIT HOLDER



MAGNETIC BIT

If you have a problem, question, or request, call your local dealer, or Coalesse at 1.800.627.6770 Or visit our website: [www.coalesse.com](http://www.coalesse.com)

© 2012 Coalesse  
San Francisco, California U.S.A.

Printed in U.S.A.