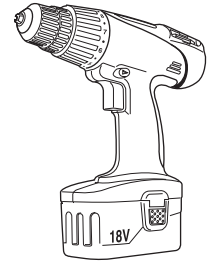
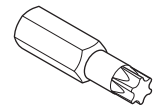


**PROFILE OF HARDWARE
FOR CLARITY**

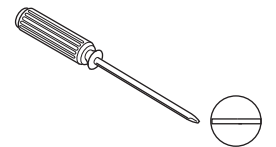
M6 x 45mm
Wafer Head Screw



Magnetic
Bit Holder



T-30



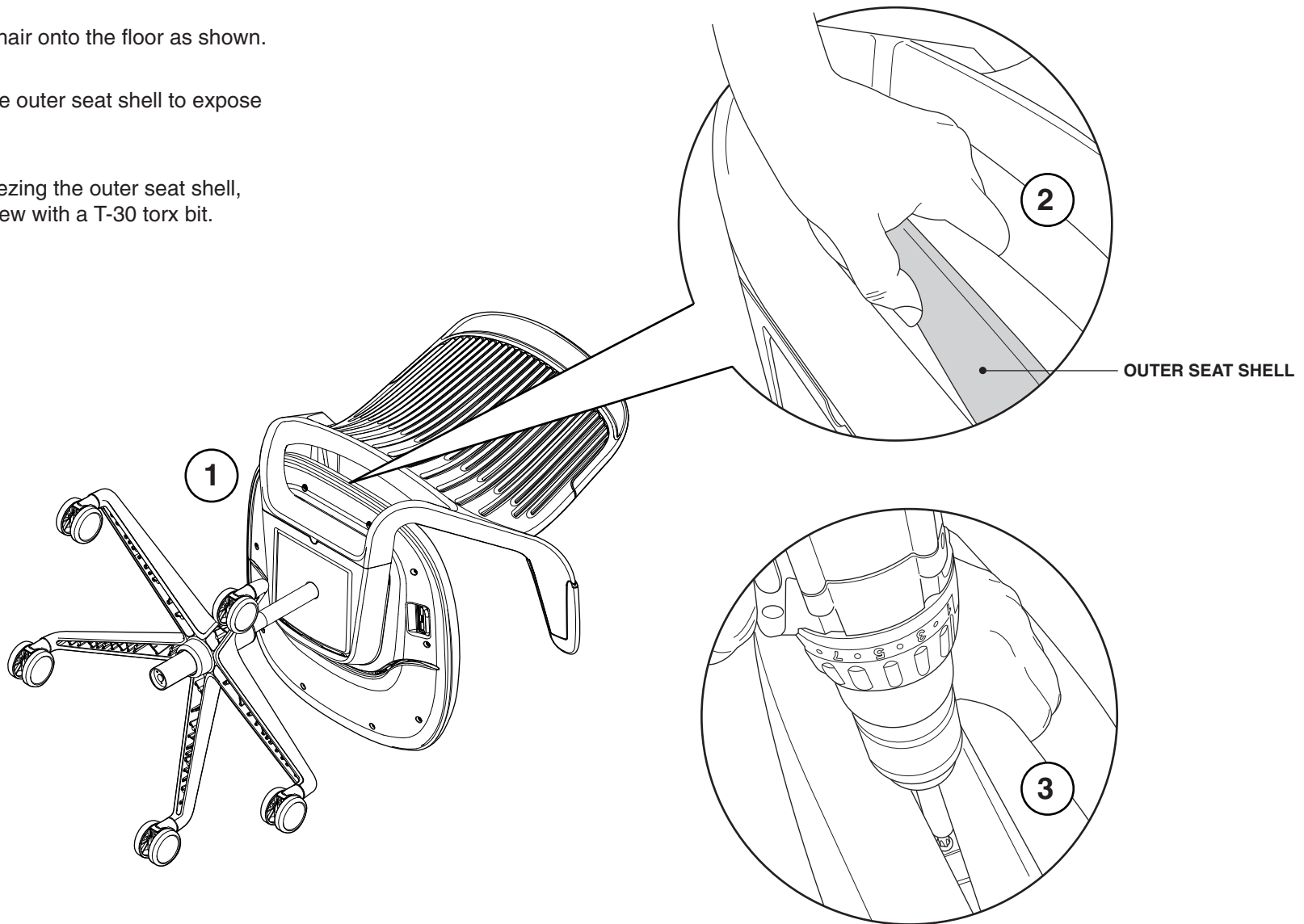
Large flat-bladed
screwdriver

If you have a problem, question, or request, call your local dealer, or Steelcase Line 1 at **888.STEELCASE** (888.783.3522) for immediate action by people who want to help you. (Outside the U.S.A., Canada, Mexico, Puerto Rico, and the U.S. Virgin Islands, call: 1.616.247.2500) Or visit our website: www.steelcase.com
© 2008 Steelcase Inc.
Grand Rapids, MI 49501
U.S.A.
Printed in U.S.A.

1. Place the chair onto the floor as shown.

2. Squeeze the outer seat shell to expose the seat screw.

3. While squeezing the outer seat shell, remove the screw with a T-30 torx bit.

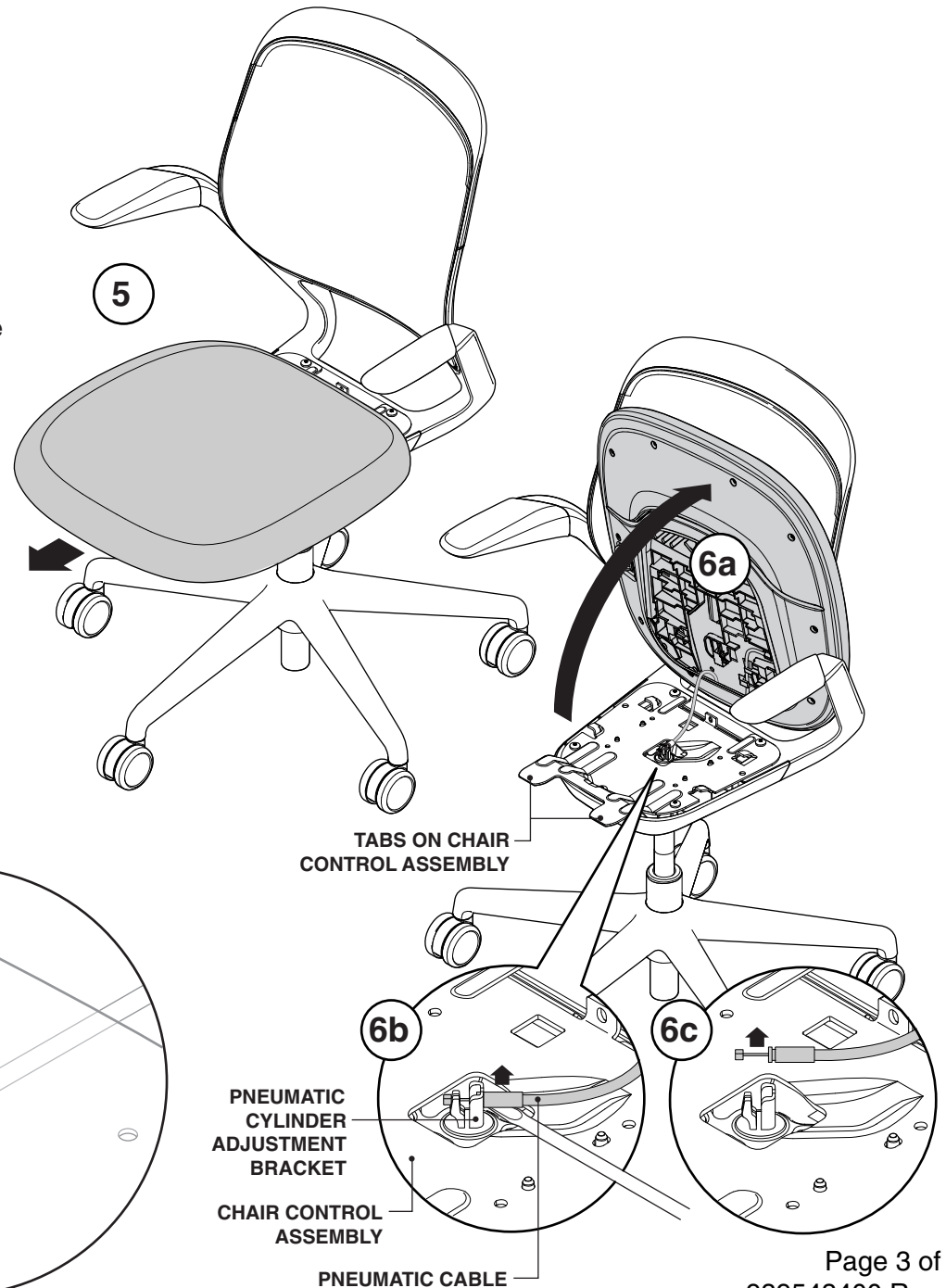
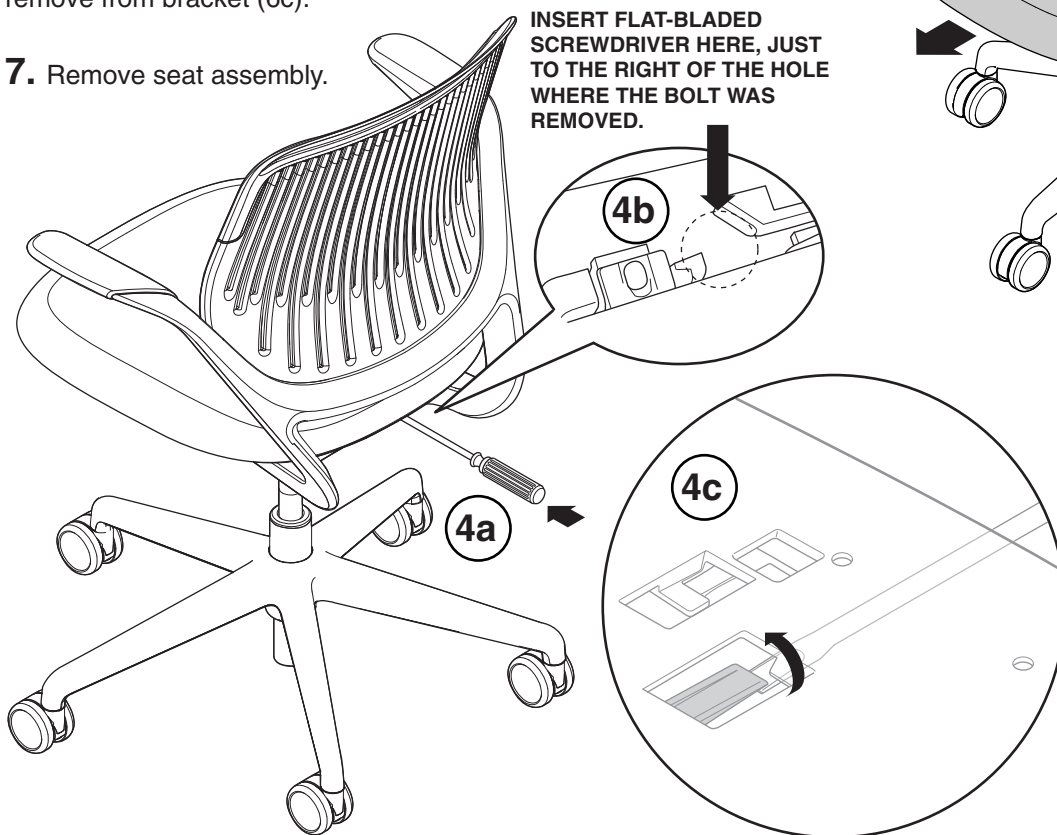


4. Place chair upright and insert a large flat-bladed screwdriver into the seat cushion (4a). Screwdriver must be inserted to the right of the hole where the bolt was removed in step 3 (4b). Insert the screwdriver inward until you locate the catch and then pry catch upward (4c). Grab the seat at the rear and pull sharply upward and forward while prying up on catch.

5. Carefully pull seat assembly forward to clear the tabs on the front of the chair control assembly. DO NOT pull seat assembly any farther forward than necessary to avoid kinking the pneumatic cable.

6. Flip seat assembly upward (6a). Locate the pneumatic cylinder adjustment bracket. Pry upward on pneumatic cable (6b) and then remove from bracket (6c).

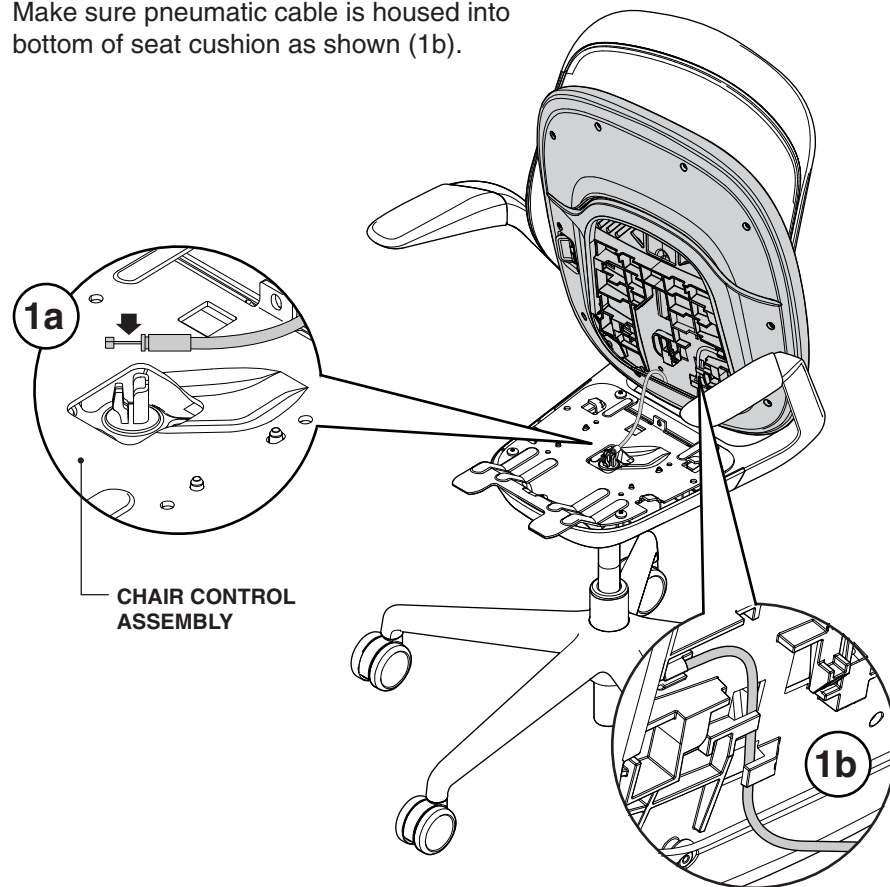
7. Remove seat assembly.



Installing the Replacement Seat Assembly

1. Place seat assembly upright as shown and lower pneumatic cable into adjustment bracket and snap into place (1a).

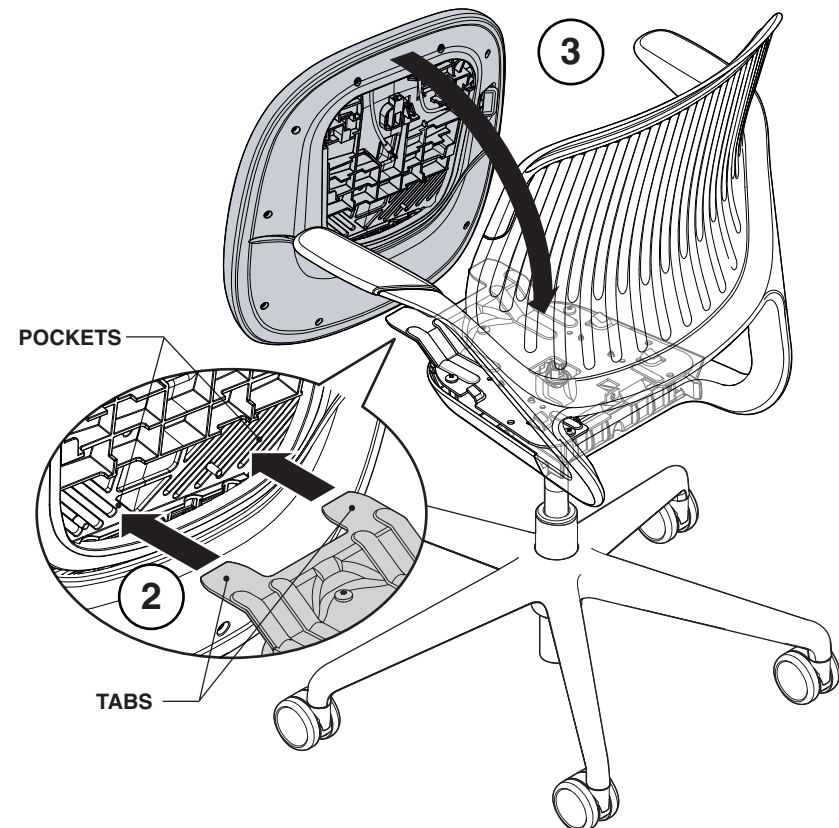
Make sure pneumatic cable is housed into bottom of seat cushion as shown (1b).



2. Align underside of seat assembly with front of chair control assembly. The tabs located on the front of the chair control assembly must fit into the pockets of the seat assembly.

3. Swing seat assembly downward as shown.

NOTE: Carefully place the seat over the tabs, making sure not to pull the seat assembly too far forward, as this would damage the pneumatic cable.



4. Slide seat assembly as shown using inner legs to push seat cushion inward.

5. Place chair onto the floor as shown.

6. Squeeze outer seat shell.

7. While squeezing the outer seat shell, install M6 x 45mm wafer head screw and tighten to 15-30 in-lbs. DO NOT over tighten.
IMPORTANT: Make sure to install this screw.

