

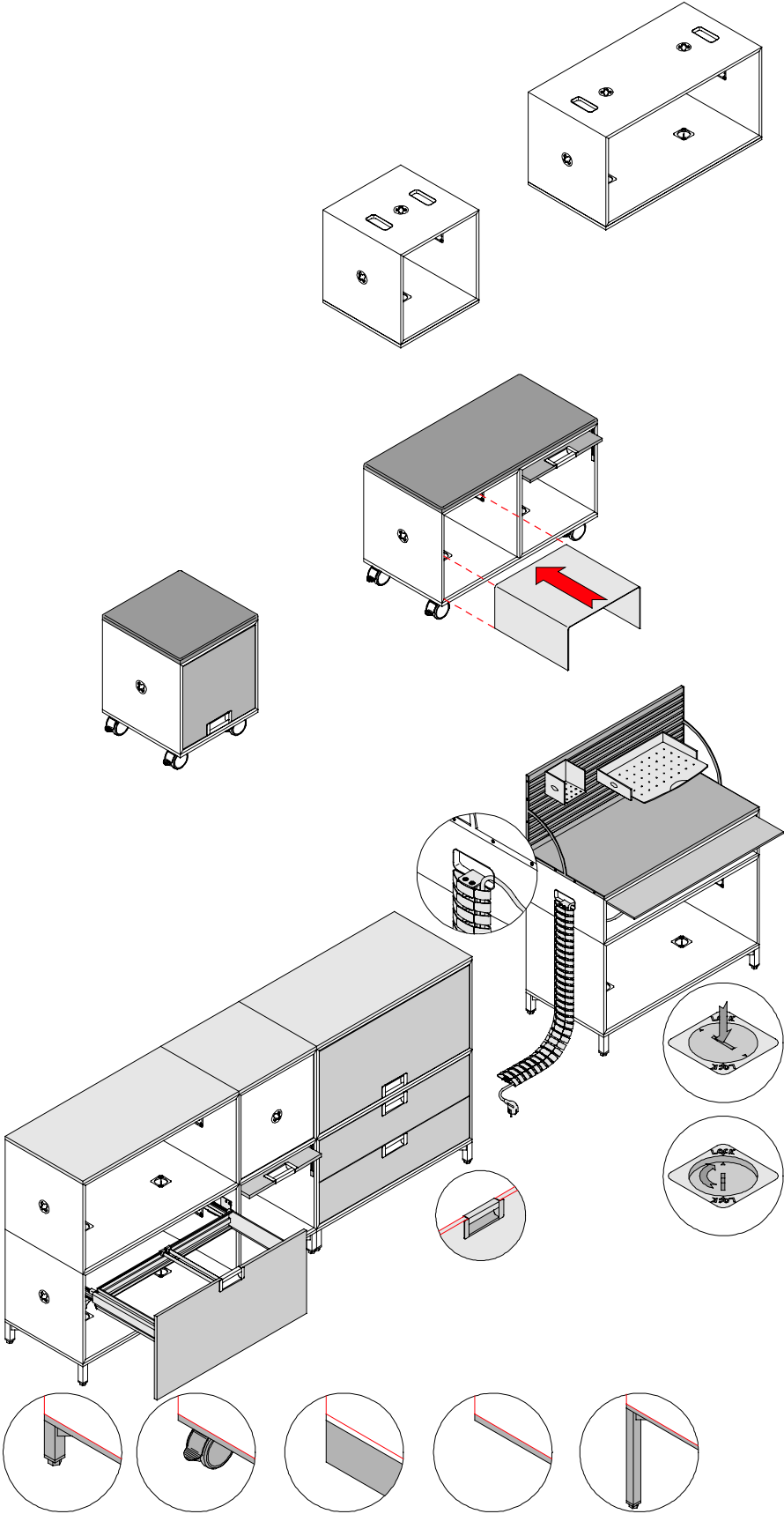
Product Description

FlexBox

CONTENT

1. System Overview
2. System Elements
3. Structural und Functional Design
4. Materials and Ecology
5. Product Ergonomics
6. Safety

1. System Overview



2. System Elements

Dimensions

FlexBox is 40 cm deep and is available in widths of 40 and 80 cm.
Heights of the individual units:

	interior height	overall height
Top with orga panel		32
Seat cushion		4
Top		1,3
Powerbox with flipper door	17,4	20
Powerbox open	17,4	20
FlexBox open	37,4	40
FlexBox with slide-in flap	33,9	40
FlexBox with 2 drawers	16,5 14,6	40
FlexBox with suspended frame	33,9	40
Base plate with plinth		10
Base plate with castors Ø7,5		10
Base plate with frame		10
Base plate with frame		30
Base plate with foot		2,3

3. Structural and Functional Design

FlexBox (case and front) consists of three-layer high quality particleboard, 1.3 cm faced with melamine layer.

The following versions are available:

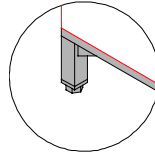
- FlexBox open (40 and 80cm wide)
- FlexBox with slide-in flap (40 and 80cm wide)
- FlexBox with suspended frame (80cm wide)
- FlexBox with drawers (80cm wide)
- Powerbox (hight 20cm) open
- Powerbox (hight 20cm) with flipper door.

Options are as follows:

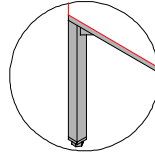
- top 40 and 80cm wide, laminate (1,3cm thick)
- top with orga panel
- steel shelf made out of 0.2 cm bent sheet metal
- Cable spine, 1 m long made out of polypropylene PP, black with optional extension, 1 m long
- Seat cushion 4 cm thick with supporting panel
- Option locks :black cylinder lock with pin-tumbler cylinder and folding key

Base options

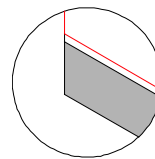
Base plate with frame 10cm height



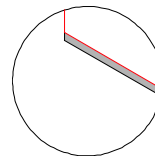
Base plate with frame 30cm height



Base plate with plinth 10cm height



Base plate with feet 2,3cm height



4. Materials and Ecology

Materials

Plinth

- Sheet metal, 1.25 mm thickness, welded

Base

- Steel tube 2.5 x 2.5 cm with glides in polyamide, black

Feet

- Sheet metal, galvanised

Base panel

- 3-layer Schicht high quality particleboard (DIN 68765-H1, emission class E1)

Top

- 3-layer Schicht high quality particleboard (DIN 68765-H1, emission class E1)

Front(Flipper/Drawers)

- all fronts 1.3 cm thickness made out of 3-layer Schicht high quality particleboard (DIN 68765-H1, emission class E1)

Case

- 3-layer Schicht high quality particleboard (DIN 68765-H1, emission class E1)

Fittings

- Aluminum EV1 (handles)
- Polyamide PA 6 (handle endpiece, X-connector, mechanism for flipper door)
- Steel (Spring in X-connector)

Internal Equipment

- Steel shelves made out of sheet metal, 0.2 cm thickness, bent.
- Suspended file frames and drawers out of sheet metal

Misc. additions

- Cable Spine, propypolyene with adapter out of Aluminium EV1

Coating

Plinth

- powder coated with epoxy resin (approx. 80 my)

Feet

- Galvanised

Frame

- powder coated with epoxy resin (approx. 80 my)

Case

- Melamine resin coating per DIN 68765 Application Class H1 or N1

Front (flipper/drawers)

- Melamine resin coating per DIN 68765 Application Class H1 or N1

Top

- Melamine resin coating per DIN 68765 Application Class H1 or N1

Base panel

- Melamine resin coating per DIN 68765 Application Class H1 or N1

Equipment

- Metal, powder coated with epoxy resin (approx. 80 my)
- Verzinkt (Führungen für Auszüge)

Colours

Plinth

- 6 special inhouse colours, (see colour chart)

Frame

- 6 special inhouse colours, (see colour chart)
- polished chrome (option)

Feet

- Galvanised

Fittings

- Handle Aluminium EV1
- Handle endpiece Polyamide PA 6 dark grey, RAL 7016

Case/Base panel

- Melamine, 4 special inhouse colours, (see colour chart)

Front/Top

- Melamine, 6 special inhouse colours, (see colour chart)

Internal Equipment

- Shelves
 - ◆ 6 special inhouse colours, (see colour chart)

Recycling

Frame/Plinth/Feet

- Return into the material loop possible

Fittings

- Return into the material loop possible

Panels

- Return into the material loop possible
- Wood, alternatively complete thermal disposal

Equipment

- Return into the material loop possible

Misc. additions

- Return into the material loop possible

5. Product Ergonomics

All edges are minimum 2 mm thick and rounded.

Handles on movable front elements are fixed in a way that accidental injuries can be avoided to the greatest possible extent.

FlexBoxes with drawers are generally equipped with counter weights.

6. Safety



The GS (Geprüfte Sicherheit, i.e. “safety tested”) mark has been issued by the Landesgewerbeanstalt Bayern (Bavarian material testing institute) for all types of cabinet.



zertifiziertes QM-System nach
DIN EN ISO 9001, Ausg. 12/2000

Steelcase Werndl AG operates to standards of Total Quality Management and has been DIN ISO 9001- certified since 1995. This guarantees consistently high quality for the entire desk range



Steelcase Werndl AG has earned the EU environmental seal of approval for its environment management system and environmentally friendly business operations